

About Us:

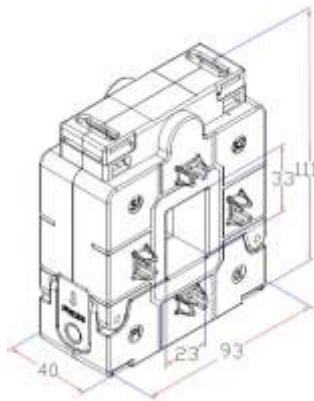
Newtek Electricals began as Wintek Electricals Pvt Ltd - an Indo-Spanish collaboration in 2005. The blend of technical expertise and innovations inherited from the collaboration have been instrumental in creating the core foundation of Newtek's capabilities.

Newtek Electricals is the first company to introduce nylon flame retardant casing current transformers in India, and the product is now exported to other countries as well. While meeting high demand for quality, the company has developed a reputation for continuously upgrading its technology, and delivering world-class products.

Today, Newtek Electricals has emerged as one of India's leading manufacturers and exporters of CT/PTs in resin cast and nylon casing & Control Transformer.

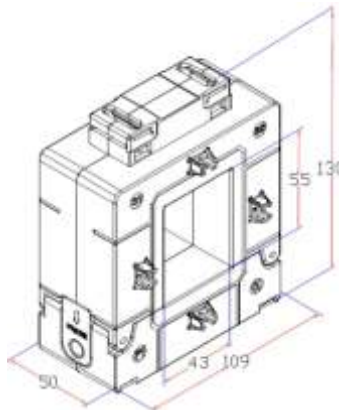
INTRODUCING SPLIT CORE CURRENT TRANSFORMERS

NESPCT3323



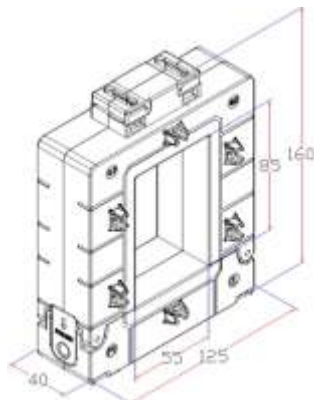
NESPCT3323	Sec - 5A	
	Max, VA	
Primary Current	Class- 1.0	Class- 3.0
100	1.25	2.5
125	1.5	3.5
150	1.75	3.75
200	2.5	5
250	3.75	6.25
300	5	6.25

NESPCT5543



NESPCT5543	Sec - 5A	
	Max, VA	
Primary Current	Class- 1.0	Class- 0.5
125	1.5	-
150	1.75	-
200	3.75	1.5
250	5	2.5
300	5	2.5
400	7.5	5
500	7.5	5
600	10	5

NESPCT8555

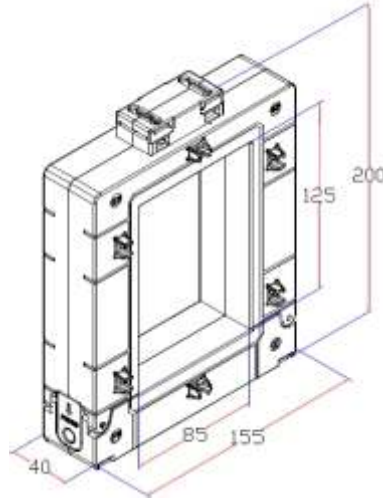


NESPCT8555	Sec - 5A	
	Max, VA	
Primary Current	Class- 1.0	Class- 0.5
500	5	3.75
600	7.5	5
750	10	7.5
800	10	7.5
1000	15	10

Note : *Sec.1A on Request,
Dimension Tolerance: 1 to 10mm +/-0.5mm, 11 to 50mm +/-1.0mm, 51 to 200mm +/-2.0mm & 200mm> +/-3.0mm

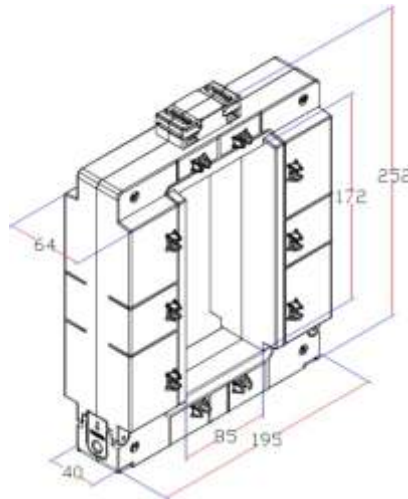
All Dimensions are in "mm"

NESPCT12585



NESPCT12585	Sec - 5A	
	Max. VA	
Primary Current	Class- 1.0	Class- 0.5
300	3.75	1.5
400	3.75	2.5
500	5	3.75
600	7.5	5
750	10	7.5
800	10	7.5
1000	15	10
1200	15	15
1250	15	15
1500	15	15
1600	15	15
2000	15	15
2500	15	15
3000	15	15

NESPCT17285



NESPCT17285	Sec - 5A	
	Max. VA	
Primary Current	Class- 1.0	Class- 0.5
600	5	1.25
750	10	5
800	10	7.5
1000	15	10
1200	15	15
1250	15	15
1500	15	15
1600	15	15
2000	15	15
2500	15	15
3000	15	15
3200	15	15
4000	15	15

Note : *Sec.1A on Request,

Dimension Tolerance: 1 to 10mm +/-0.5mm, 11 to 50mm +/-1.0mm, 51 to 200mm +/-2.0mm & 200mm> +/-3.0mm

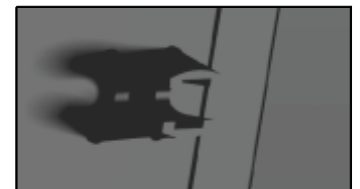
All Dimensions are in "mm"

FEATURES

- Wide range of system current rating.
- **Various Mounting Options** like Bus Bar Mounting(b), Base Mounting(d).
- Protective Terminal Cover (a).
- Terminal with self lifting screw with dual connection facility giving access from both sides of transformers(c).



TERMINAL COVER(a)



BUSBAR MOUNTING(b)



BOTH SIDE ACCESS(c)



BASE MOUNTING(d)

newtek
electricals

M-90 M.I.D.C Waluj, Aurangabad 431136, Maharashtra, India. Tel/Fax : +91-0240 2551555 | 9372862613 | 9372862637

Email : sales@newtekelectricals.com | mkt.north@newtekelectricals.com | mkt.east@newtekelectricals.com
mkt.west@newtekelectricals.com | mkt.south@newtekelectricals.com | exports@newtekelectricals.com

Website : www.newtekelectricals.com