

Manufacturer & Exporter

Tape Wound Current Transformers



NexGen High Quality
Uptime Service
Performance Excellence
Safety Innovation



ISO 9001:2015



CE LVD and EMC

15+

Years of
experience

1000+

Successful
projects

10,000+

Sq.ft manufacturing
facility

500+

Domestic
customers

Newtek CTs have worked without failure for over 10 years, and are a proven imports substitute.



World-class manufacturing, quality and supply systems

Newtek Electricals is the first company to introduce nylon flame retardant casing current transformers in India, and the product is now exported to other countries as well. While meeting high demand for quality, the company has developed a reputation for continuously upgrading its technology, and delivering world-class products.

Today, Newtek Electricals has emerged as one of India's leading manufacturers and exporters of CT/PTs in resin cast and nylon casing.

Our Story...

- 2005** Indo-German joint venture Wintek Electricals founded.
- 2007** Newtek Electricals is formed as an independent entity.
- 2008** Introduced Nylon casing CTs for the first time in India; fulfills order for 70,000 CTs.
- 2009** **New!** 10,000 sq ft manufacturing facility, resin cast CTs introduced. Supplied Customized products.
- 2014** Supply of 1,15,000 CTs for 4G towers, R&D facility established, MF meters launched.
- 2020** Begins in-house manufacturing of CT core. New split core CTs introduced.

Manufacturing & Quality Testing Processes approved by leading Indian and International Customers



End-to-end Capabilities for global supply chains

R&D Capabilities

- › First company in India to introduce Nylon flame retardant casing current transformers
- › Dedicated R&D center and team to develop new products
- › Recently introduced new nylon casing split core CTs
- › Webinars are organized regularly to update customers of trends in electrical technology and resolve their issues.

Sales and Service

- › Products exported to Middle East, South Africa and Europe
- › Approvals from leading Consultants, MNCs, Govt. Agencies in India & overseas markets

Manufacturing

- › State-of-the-art manufacturing facility of 10,000 sqft. in Aurangabad
- › Monthly output capacity of 60,000 CT units.
- › ISO 9001:2008 certified company

**Approvals from
Project/Electrical
Consultants in
over 20+
Industries**



Product approvals by leading Consultants

- › MECON Limited
- › AECOM (previously Spectral Services Consultants Pvt. Ltd.)
- › Entask Consultancy Services
- › Tata Consulting Engineers
- › C.R. Narayan Rao Consultants
- › Powertec Engineering
- › Avant-Garde Engineers & Consultants
- › Satyavani Consultants
- › Karmaa SR Consultants Pvt. Ltd.
- › Design Bureau
- › IBI
- › Arup Consultant
- › Lead Consultants
- › Fichtner India
- › Power Drive Engineers
- › Archivista Engineering Projects Pvt. Ltd. (AEPPL)
- › Aami Associate Consulting Engineers
- › RSP Design Consultants India
- › Synergy Infra Consultants Pvt. Ltd.
- › J. P. Mukherji & Associates
- › Excel Design Engineers
- › Unique Consultant Services
- › Kausi Consultancy Services
- › Spectrum Pharmatech
- › Currie Brown
- › Unik Engineering Services
- › Arnita Consultants Pvt. Ltd.
- › Aevitas Pharmagro
- › Ralys Consulting Engineers
- › SYSN Consultants
- › Adarsha Developers
- › Raj Electrical Designs
- › S. M. Engineers & Consultants
- › Convenient Construction & Consultancy Pvt. Ltd.
- › Semac Consulting Engineers
- › Abhiyanta Electricals and Engineers Consultants
- › Mott MacDonald
- › S. N. Joshi Consultants
- › ESKAYEM Consultants
- › S. R. Associates
- › Knexir Consultants Pvt. Ltd.
- › Mott MacDonald
- › STUP Consultants Pvt. Ltd.
- › Chettiar Consulting Engineers
- › IPS Mehtalia
- › Vidyut Sallagar Pvt. Ltd.
- › CAMES
- › Ajit Kulkarni Consultant
- › SAN Consultants
- › Sripeksha Engineering Consultancy Services Pvt. Ltd.

**Comprehensive
Range of CT/PTs
and Multi-Function
Meters (MFMs)**



Current Transformer Nylon Casing

Metering Type CT'S

- > Window Type CT'S (Bus Bar)
- > WPL Type
- > Round ID Type CT'S

Protection Type CT'S

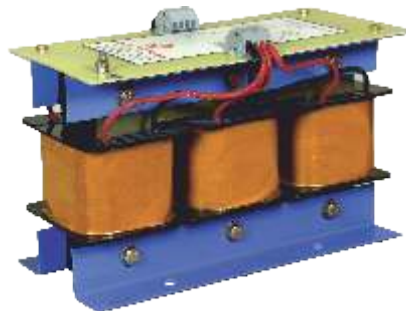
- > Nylon Casing-Protective Type Bus Bar



Resin Cast-Round ID

Metering Type CT'S

- > Resin Cast - WPL
- > Resin Cast - Bus Bar
- > Resin Cast - Round ID



Control Transformer

- > Single-phase Resin Cast
- > Three-phase Resin Cast



Digital Meter

- > Energy Meter
- > MFM Meter
- > VAF Meter
- > DPM Meter

End Customers

 VALE SHIPPING HOLDING PTE. LTD.		 BANGLADESH STEEL RE-ROLLING MILLS	 TATA CONSULTANCY SERVICES
	 HINDUSTAN SHIPYARD LTD.		 NAVI MUMBAI METRO

500+ Domestic Customers

100+ Overseas Customers

1000+
successful
projects



Sugar

Enpro Sugars, Rohtak
Daund Sugars, Rohtak
Renuka Sugars, Brazil
Mumias Sugar, Kenya
Shiraguppe Sugar, Rohtak
Mylar Sugars, Bangalore
White Nile Mill House, Sudan
Rohtak & Enpro Sugars, Rohtak
Lokmangal Mauli India Ltd,
Osmanabad
Chamundeshwari Sugars,
Hussain



Pulp & Paper Mill

PT Pindo, Indonesia
Subam Papers



Malls

Patna Malls, Patna
Footpark Mall, Indore
Lotus Mall, Bangalore
Magarpatta Mall, Pune
Shoppers Stop,
(Mumbai, Bhopal)
Best Price, Aurangabad



Metro

Chennai Metro Rail Ltd, Chennai
Bengaluru Metro Rail Ltd,
Bengaluru
Hyderabad Metro Rail Ltd,
Hyderabad
Kochi Metro Rail Ltd, Kochi
Navi Mumbai Metro, Mumbai
Nagpur Metro, Nagpur



Government

MTRDC, Bhopal
PWD, Bhopal
BHEL Site Office, Ranchi



Automobile

ARAI, Pune
ESSAR, Mumbai
VHCL, Umbergaon
Mahindra Vehicle, Chakan
Woco Motherson,
Gandhidham
VE Commercial Vehicles,
Pithampur
Honda Motorcycle &
Scooters India, Narsapura



Industrial

Asian Paints, Ankaleshwar
DMIC, Aurangabad
INA Bearings India Pvt Ltd
Polycab Cables, Vadodara
Diamond Cables, Vadodara
Cosmo Films, Vadodara
Perkins India Pvt. Ltd.,
Aurangabad
Endurance Technologies Ltd.
LG Electronics, Ho Chi Minh
Daikin, Ho Chi Minh



Steel

BSPL, Bhilai
JSW Steel, (Bellary, Dolvi)
JSPL, Tamnar
BSRM, Bangladesh
Sohar Steel, Oman
Electrosteel Steels Ltd, Bokaro
SLR Metalliks, Hospet
Kalyani Garuda, Raichur
Durgapur Steel Plant
Vedanta Steel



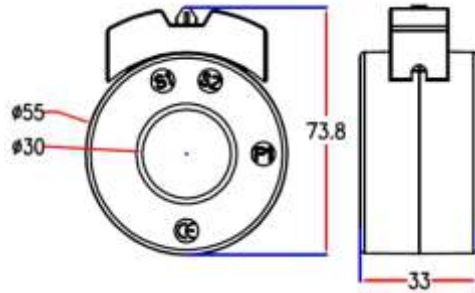
Chemical

Safe Water Chemicals, Kuwait
Kalpataru Organics, Sarigam
Virchows Lab, Hyderabad
Hikal Ltd, Hyderabad
Amoli Organics, Vapi

Products

Tape Wound Current Transformers

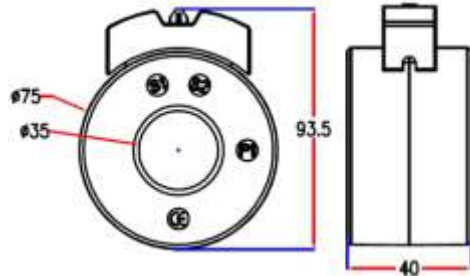
NETW 30



CT ID 30 CT OD 73.8(L)X55(W)X33(T)

NETW 30 Primary Current	Sec - 5A Max. VA
	Class- 1.0
100	2.5
120	2.5
125	2.5
150	3.75
200	5
250	5
300	5
400	5

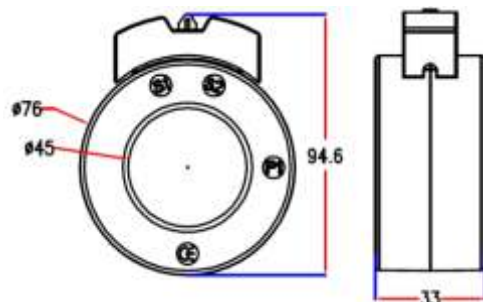
NETW 35



CT ID 35 CT OD 93.5(L)X75(W)X40(T)

NETW 35 Primary Current	Max. VA			
	Sec-5A		Sec-1A	
	Class- 1.0	Class- 0.5	Class- 1.0	Class- 0.5
75	1.5	-	1	-
80	1.5	-	1	-
100	5	-	5	-
120	5	-	5	-
125	5	-	5	-
150	7.5	-	7.5	-
200	10	5	10	5
250	15	5	15	5
300	15	10	15	10
400	15	10	15	15
500	15	15	15	15
600	15	15	15	15

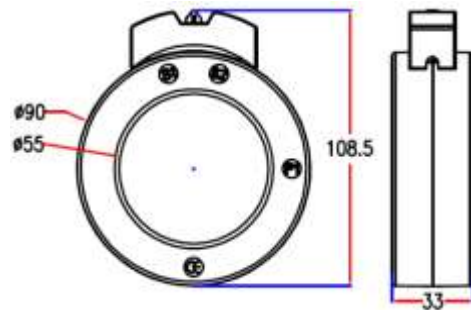
NETW 45



CT ID 45 CT OD 94.6(L)X76(W)X33(T)

NETW 45 Primary Current	Max. VA			
	Sec-5A		Sec-1A	
	Class- 1.0	Class- 0.5	Class- 1.0	Class- 0.5
100	1.5	-	1.5	-
125	1.5	-	1.5	-
150	2.5	-	2.5	-
200	5	2.5	5	2.5
250	5	2.5	5	2.5
300	10	5	10	5
400	15	10	10	10
500	15	10	10	10
600	15	10	10	10
750	15	10	-	-
800	15	10	-	-

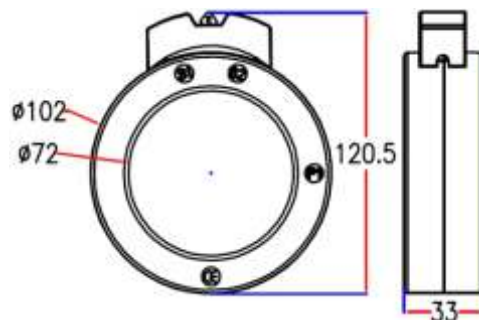
NETW 55



CT ID 55 CT OD 108.5(L)X90(W)X33(T)

NETW 55	Max. VA			
	Sec-5A		Sec-1A	
	Class- 1.0	Class- 0.5	Class- 1.0	Class- 0.5
Primary Current				
150	1.5	-	1.5	-
200	5	-	5	-
250	7.5	2.5	7.5	2.5
300	10	5	10	5
400	15	10	15	10
500	15	10	15	10
600	15	10	15	10
630	15	10	15	10
750	15	15	15	15
800	15	15	15	15
1000	15	15	15	15
1200	15	15	15	15
1250	15	15	-	-
1500	15	-	-	-

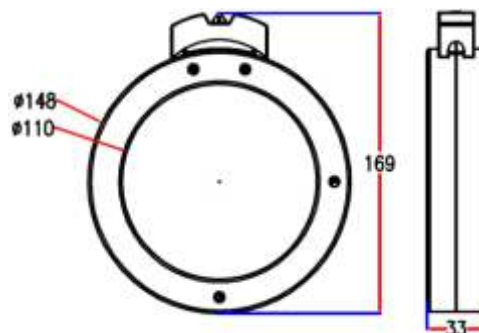
NETW 72



CT ID 72 CT OD 120.5(L)X102(W)X33(T)

NETW 72	Max. VA			
	Sec-5A		Sec-1A	
	Class- 1.0	Class- 0.5	Class- 1.0	Class- 0.5
Primary Current				
250	2.5	-	2.5	-
300	5	-	5	-
400	5	3.75	5	3.75
500	10	5	10	5
600	15	10	15	10
630	15	10	15	10
750	15	10	15	10
800	15	15	15	15
1000	15	15	15	15
1200	15	15	-	-
1250	15	15	-	-
1500	15	15	-	-
1600	15	15	-	-

NETW 110



CT ID 110 CT OD 169(L)X148(W)X33(T)

NETW 110	Max. VA			
	Sec-5A		Sec-1A	
	Class- 1.0	Class- 0.5	Class- 1.0	Class- 0.5
Primary Current				
600	10	5	7.5	5
630	10	5	7.5	5
750	10	5	10	5
800	10	5	10	5
1000	15	7.5	15	7.5
1200	15	15	15	15
1250	15	15	15	15
1500	15	15	15	15
1600	15	15	15	15
2000	15	15	15	15
2500	15	15	15	15
3000	15	15	-	-
3200	15	15	-	-

General Features of NEWTEK Current Transformers

Electrical Features

- › Rated frequency = 50-60 Hz
- › Class of insulation = E
- › Rated short time thermal current $I_{th} = 60 I_n$
- › Nominal surge current $I_{dyn} = 2.5 I_{th}$
(Minimum 100 kA at all window type CT's)
- › Highest voltage for equipment $U_m = 0.72 K_v$ (Other voltages on request)
- › Rated power-frequency withstand voltage = 4Kv/1 min (Other voltages on request) Instrument security factor = F_s5

Mechanical Features

- › Unbreakable, flame retardant, self-extinguishing
- › Nylon casing of grade UL 94 V2.
- › Cores are made from high grade CRGO material.
- › Dual coated copper wire having class of insulation H.
- › Nickel plated secondary terminals with plus minus screws of 0.5Nm.
- › Integrated secondary terminal caps.

Special Notes

- › CT's also available in 0.5S, 0.2 and 0.2S accuracy class on request.
- › Other V_a 's are as per customer requirement.

Applicable Standards:

- › Current Transformer: IS: 2705/1992; IEC/EN: 60044-1
- › Potential Transformer: IS: 3156/1992; IEC: 60044-2
- › Control Transformer: IS: 12021/1987; IEC: 60044-2

Control & Potential Transformer:

- › Newtek provides tailor made range of LT Potential & Control Transformer as per customers demand both in single phase & three phase system, in Resin Cast/Tape Insulated/Varnish Impregnated type of Insulation.
- › Voltage range 0 to 690V, Max VA:-10kVA. We can supply dual secondary, tap changer type PTs & Control Transformers.
- › Available Class of PTs: 0.2, 0.5, 1.0 3P, 6P We can provide you IVTs, RVTs on demand.

newtek electricals

📍 M-90 M.I.D.C Waluj,
Aurangabad 431136, Maharashtra, India.

📞 +91-0240 2551555 / 9372862651, 9372862647

✉ sales@newtekelectricals.com
mkt.south@newtekelectricals.com
mkt.west@newtekelectricals.com
mkt.east@newtekelectricals.com
mkt.north@newtekelectricals.com

🌐 www.newtekelectricals.com