

Manufacturer & Exporter

Nylon Casing Current Transformers



15+

Years of
experience

1000+

Successful
projects

10,000+

Sq.ft manufacturing
facility

500+

Domestic
customers

Newtek CTs have worked without failure for over 10 years, and are a proven imports substitute.



World-class manufacturing, quality and supply systems

Newtek Electricals is the first company to introduce nylon flame retardant casing current transformers in India, and the product is now exported to other countries as well. While meeting high demand for quality, the company has developed a reputation for continuously upgrading its technology, and delivering world-class products.

Today, Newtek Electricals has emerged as one of India's leading manufacturers and exporters of CT/PTs in resin cast and nylon casing.

Our Story...

- 2005** Indo-German joint venture Wintek Electricals founded.
- 2007** Newtek Electricals is formed as an independent entity.
- 2008** Introduced Nylon casing CTs for the first time in India; fulfills order for 70,000 CTs.
- 2009** **New!** 10,000 sq ft manufacturing facility, resin cast CTs introduced. Supplied Customized products.
- 2014** Supply of 1,15,000 CTs for 4G towers, R&D facility established, MF meters launched.
- 2020** Begins in-house manufacturing of CT core. New split core CTs introduced.

Manufacturing & Quality Testing Processes approved by leading Indian and International Customers



End-to-end Capabilities for global supply chains

R&D Capabilities

- › First company in India to introduce Nylon flame retardant casing current transformers
- › Dedicated R&D center and team to develop new products
- › Recently introduced new nylon casing split core CTs
- › Webinars are organized regularly to update customers of trends in electrical technology and resolve their issues.

Sales and Service

- › Products exported to Middle East, South Africa and Europe
- › Approvals from leading Consultants, MNCs, Govt. Agencies in India & overseas markets

Manufacturing

- › State-of-the-art manufacturing facility of 10,000 sqft. in Aurangabad
- › Monthly output capacity of 60,000 CT units.
- › ISO 9001:2008 certified company

**Approvals from
Project/Electrical
Consultants in
over 20+
Industries**



Product approvals by leading Consultants

- › MECON Limited
- › AECOM (previously Spectral Services Consultants Pvt. Ltd.)
- › Entask Consultancy Services
- › Tata Consulting Engineers
- › C.R. Narayan Rao Consultants
- › Powertec Engineering
- › Avant-Garde Engineers & Consultants
- › Satyavani Consultants
- › Karmaa SR Consultants Pvt. Ltd.
- › Design Bureau
- › IBI
- › Arup Consultant
- › Lead Consultants
- › Fichtner India
- › Power Drive Engineers
- › Archivista Engineering Projects Pvt. Ltd. (AEPPL)
- › Aami Associate Consulting Engineers
- › RSP Design Consultants India
- › Synergy Infra Consultants Pvt. Ltd.
- › J. P. Mukherji & Associates
- › Excel Design Engineers
- › Unique Consultant Services
- › Kausi Consultancy Services
- › Spectrum Pharmatech
- › Currie Brown
- › Unik Engineering Services
- › Arnita Consultants Pvt. Ltd.
- › Aevitas Pharmagro
- › Ralys Consulting Engineers
- › SYSN Consultants
- › Adarsha Developers
- › Raj Electrical Designs
- › S. M. Engineers & Consultants
- › Convenient Construction & Consultancy Pvt. Ltd.
- › Semac Consulting Engineers
- › Abhiyanta Electricals and Engineers Consultants
- › Mott MacDonald
- › S. N. Joshi Consultants
- › ESKAYEM Consultants
- › S. R. Associates
- › Knexir Consultants Pvt. Ltd.
- › Mott MacDonald
- › STUP Consultants Pvt. Ltd.
- › Chettiar Consulting Engineers
- › IPS Mehtalia
- › Vidyut Sallagar Pvt. Ltd.
- › CAMES
- › Ajit Kulkarni Consultant
- › SAN Consultants
- › Sripeksha Engineering Consultancy Services Pvt. Ltd.

**Comprehensive
Range of CT/PTs
and Multi-Function
Meters (MFMs)**



Current Transformer Nylon Casing

Metering Type CT'S

- Window Type CT'S (Bus Bar)
- WPL Type
- Round ID Type CT'S

Protection Type CT'S

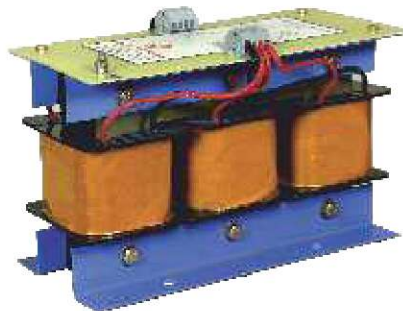
- Nylon Casing-Protective Type Bus Bar



Resin Cast-Round ID

Metering Type CT'S

- Resin Cast - WPL
- Resin Cast - Bus Bar
- Resin Cast - Round ID



Control Transformer

- Single-phase Resin Cast
- Three-phase Resin Cast



Digital Meter

- Energy Meter
- MFM Meter
- VAF Meter
- DPM Meter

End Customers

 VALE SHIPPING HOLDING PTE. LTD.	 Reliance Infrastructure	 BANGLADESH STEEL RE-ROLLING MILLS	 TATA CONSULTANCY SERVICES
	 HINDUSTAN SHIPYARD LTD.		 NAN MUMBAI METRO
 Mahindra Satyam	 SOBHA		 THERMAX
	 TATA TATA POWER	 WELSPUN	 Deutsche Bank
	 सेल SAIL	 Bhilosa Industries Pvt. Ltd.	 Mylan
			 LODHA BUILDING & BETTER LIFE
 metro BANGALORE METRO RAIL	 RANBAXY LABORATORIES LIMITED	 HYATT	 Bharat Petroleum
	 IndianOil		 INA USA CORPORATION
	 JINDAL STEEL WORKS		 WIPRO
		 gsk GlaxoSmithKline	 PDCL
 ACC LIMITED	 एनटीपीसी NTPC	 Le MERIDIEN	 alba Aluminum for the world
			 RUNWAL BLISS

500+ Domestic Customers

100+ Overseas Customers

1000+
successful
projects



Sugar

Enpro Sugars, Rohtak
Daund Sugars, Rohtak
Renuka Sugars, Brazil
Mumias Sugar, Kenya
Shiraguppe Sugar, Rohtak
Mylar Sugars, Bangalore
White Nile Mill House, Sudan
Rohtak & Enpro Sugars, Rohtak
Lokmangal Mauli India Ltd,
Osmanabad
Chamundeshwari Sugars,
Hussain



Pulp & Paper Mill

PT Pindo, Indonesia
Subam Papers



Malls

Patna Malls, Patna
Footpark Mall, Indore
Lotus Mall, Bangalore
Magarpatta Mall, Pune
Shoppers Stop,
(Mumbai, Bhopal)
Best Price, Aurangabad



Metro

Chennai Metro Rail Ltd, Chennai
Bengaluru Metro Rail Ltd,
Bengaluru
Hyderabad Metro Rail Ltd,
Hyderabad
Kochi Metro Rail Ltd, Kochi
Navi Mumbai Metro, Mumbai
Nagpur Metro, Nagpur



Government

MTRDC, Bhopal
PWD, Bhopal
BHEL Site Office, Ranchi



Automobile

ARAI, Pune
ESSAR, Mumbai
VHCL, Umbergaon
Mahindra Vehicle, Chakan
Woco Motherson,
Gandhidham
VE Commercial Vehicles,
Pithampur
Honda Motorcycle &
Scooters India, Narsapura



Industrial

Asian Paints, Ankaleshwar
DMIC, Aurangabad
INA Bearings India Pvt Ltd
Polycab Cables, Vadodara
Diamond Cables, Vadodara
Cosmo Films, Vadodara
Perkins India Pvt. Ltd.,
Aurangabad
Endurance Technologies Ltd.
LG Electronics, Ho Chi Minh
Daikin, Ho Chi Minh



Steel

BSPL, Bhilai
JSW Steel, (Bellary, Dolvi)
JSPL, Tamnar
BSRM, Bangladesh
Sohar Steel, Oman
Electrosteel Steels Ltd, Bokaro
SLR Metalliks, Hospet
Kalyani Garuda, Raichur
Durgapur Steel Plant
Vedanta Steel



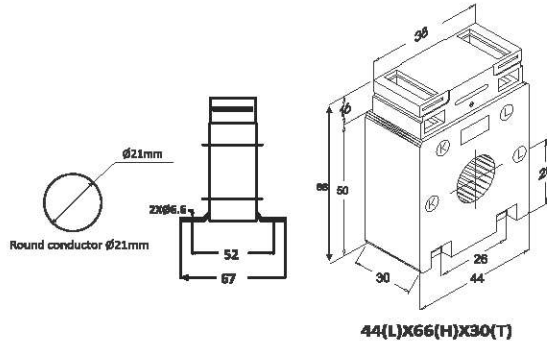
Chemical

Safe Water Chemicals, Kuwait
Kalpataru Organics, Sarigam
Virchows Lab, Hyderabad
Hikal Ltd, Hyderabad
Amoli Organics, Vapi

Products

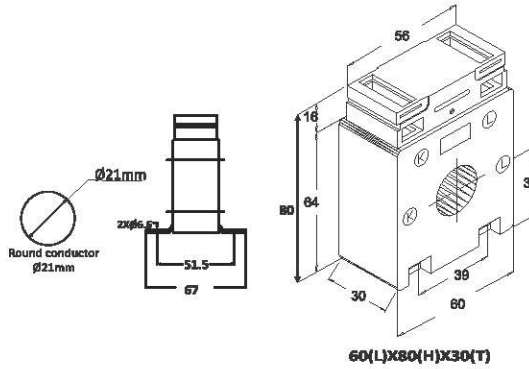
Window Type Current Transformers

NE R21



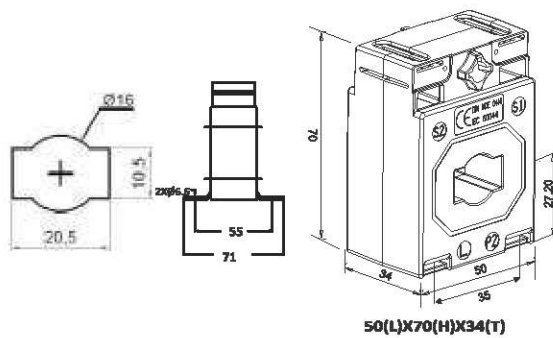
NE R21	Sec - 5A Max. VA	Sec - 1A Max. VA
Primary Current	Class - 1.0	Class - 1.0
80	1	-
100	2.5	2.5
125	2.5	2.5
150	3.75	3.75
200	5	5
250	5	-
300	5	-

NE MR21



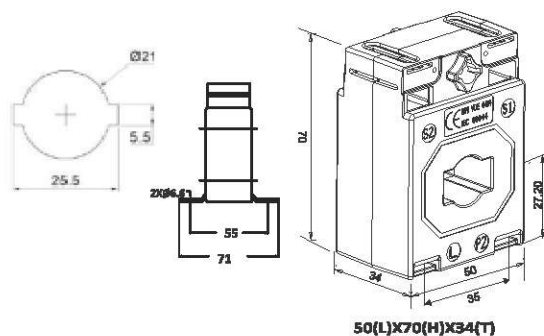
NE MR21	Sec - 5A Max. VA		Sec - 1A Max. VA
	Class - 0.5	Class - 1.0	Class - 1.0
Primary Current			
50	-	1	-
60	-	1.25	-
75	-	2.5	-
80	-	3.75	-
100	-	5	5
125	2.5	5	5
150	2.5	7.5	7.5
200	5	10	7.5
250	5	10	10
300	7.5	10	10
400	7.5	10	-
500	-	10	-

NE 210S



NE210S	Sec - 5A Max. VA	Sec - 1A Max. VA
Primary Current	Class 1.0	Class 1.0
50	1	-
60	1.25	1.25
75	2.5	2.5
100	3.75	3.75
120	5	3.75
125	5	5
150	7.5	5
200	7.5	5
250	10	-
300	10	-

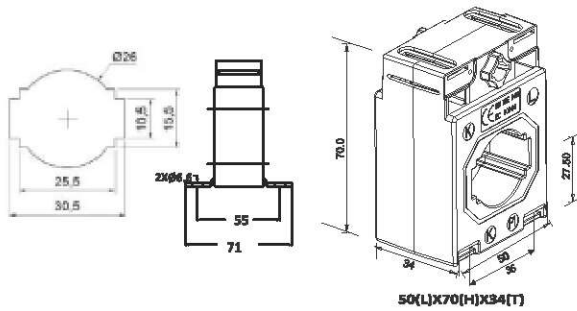
NE 255S



NE255S	Sec - 5A Max. VA
	Class 1.0
Primary Current	
75	1
80	1.5
100	2.5
125	3.75
150	5
200	7.5
250	7.5
300	7.5

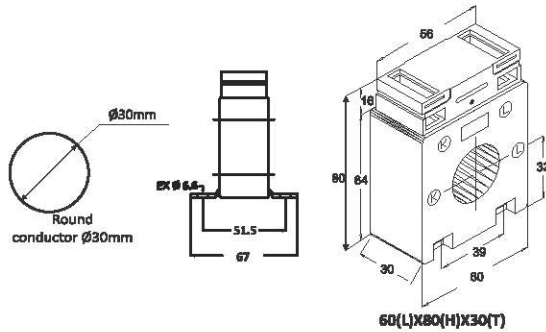
All Dimensions are in "mm"

NE 310S



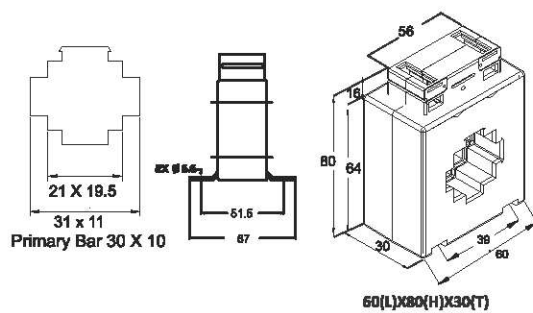
NE310S Primary Current	Sec - 5A Max. VA	
	Class 1.0	
100	2.5	2.5
120	2.5	2.5
125	2.5	2.5
150	3.75	3.75
200	5	5
250	5	5
300	5	5
400	5	5

NE 3R30



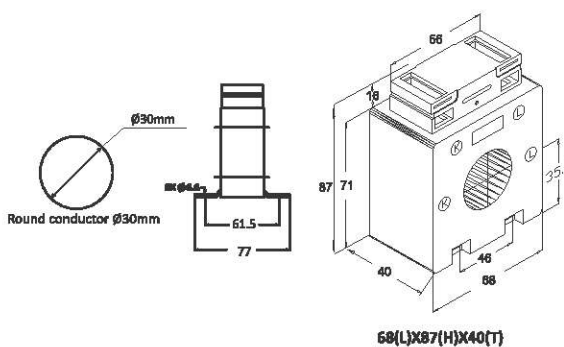
NE 3R30 Primary Current	Sec - 5A Max. VA		Sec - 1A Max. VA
	Class- 0.5	Class- 1.0	Class- 1.0
100	-	2.5	2.5
125	-	2.5	2.5
150	1.5	5	5
200	2.5	5	5
250	5	7.5	7.5
300	5	10	7.5
400	10	10	10
500	10	10	-
600	-	10	-

NE 310



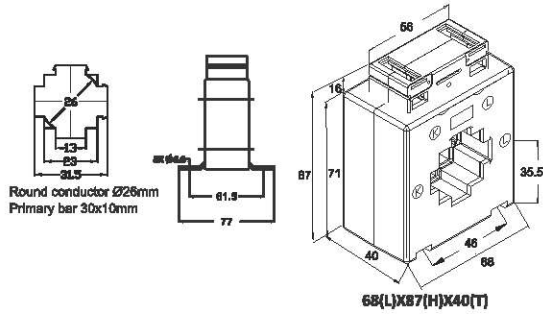
NE 310 Primary Current	Sec - 5A Max. VA		Sec - 1A Max. VA
	Class- 0.5	Class- 1.0	Class- 1.0
100	-	2.5	2.5
125	-	2.5	2.5
150	-	5	5
200	2.5	5	5
250	5	7.5	7.5
300	5	10	7.5
400	7.5	10	7.5
500	10	10	-
600	-	10	-

NE 4R30



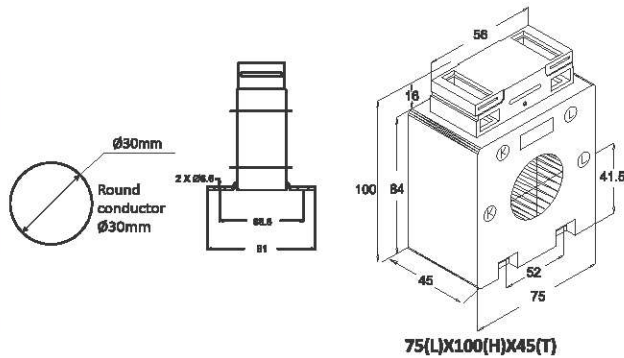
NE 4R30 Primary Current	Sec - 5A Max. VA		Sec - 1A Max. VA
	Class- 0.5	Class- 1.0	Class- 1.0
75	-	1.5	1
80	-	2.5	2.5
100	-	5	5
125	-	5	5
150	2.5	10	10
200	5	15	10
250	5	15	15
300	10	15	15
400	10	15	15
500	15	15	-
600	15	15	-

NE 4B312



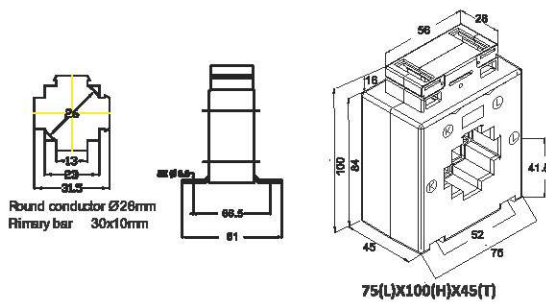
NE 4B312 Primary Current	Sec - 5A Max. VA		Sec - 1A Max. VA
	Class- 0.5	Class- 1.0	Class- 1.0
75	-	1.5	-
80	-	1.5	-
100	-	5	5
125	-	5	5
150	2.5	7.5	5
200	5	10	10
250	5	15	10
300	10	15	15
400	10	15	15
500	15	15	-
600	15	15	-

NE 5R30



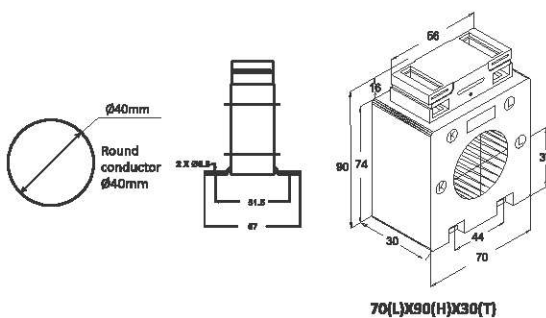
NEM 5R30 Primary Current	Sec - 5A Max. VA		Sec - 1A Max. VA
	Class- 0.5	Class- 1.0	Class- 1.0
60	-	1.25	-
75	-	2.5	-
80	-	5	-
100	-	7.5	5
125	3.75	10	5
150	5	15	7.5
200	10	15	10
250	10	15	15
300	10	15	15
400	10	15	15
500	10	15	-
600	10	15	-

NE 5B312



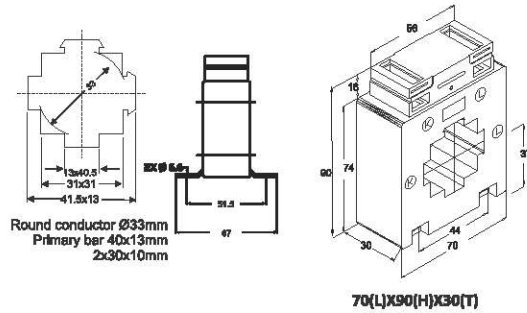
NEM 5B312 Primary Current	Sec - 5A Max. VA		Sec - 1A Max. VA
	Class- 0.5	Class- 1.0	Class- 1.0
60	-	1.5	-
75	-	2.5	-
80	-	5	-
100	-	7.5	5
125	3.75	10	5
150	5	15	10
200	10	15	10
250	10	15	15
300	10	15	15
400	10	15	15
500	10	15	15
600	10	15	15

NE 4R40



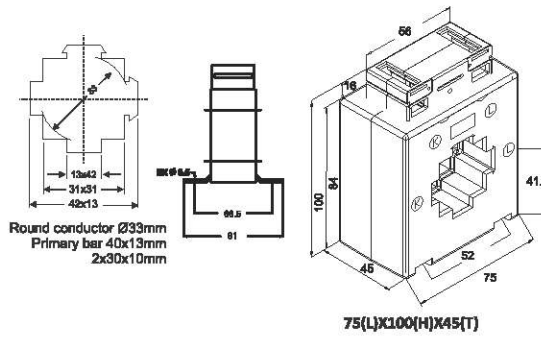
NE 4R40 Primary Current	Sec - 5A Max. VA		Sec - 1A Max. VA
	Class- 0.5	Class- 1.0	Class- 1.0
150	-	1.5	1.5
200	-	5	5
250	2.5	5	7.5
300	5	7.5	7.5
400	10	10	10
500	10	10	10
600	-	10	-
630	-	10	-
750	-	10	-
800	-	10	-

NE 412



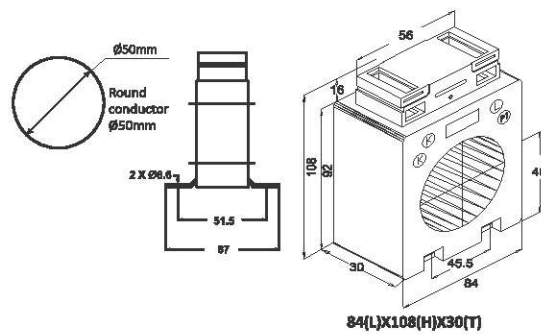
NE 412	Sec - 5A		Sec - 1A
	Max. VA		Max. VA
Primary Current	Class- 0.5	Class- 1.0	Class- 1.0
150	-	1.5	1.5
200	-	5	5
250	2.5	5	7.5
300	5	7.5	7.5
400	10	10	10
500	10	10	10
600	5	10	-
630	5	10	-
750	5	10	-
800	5	10	-

NEM 5B412



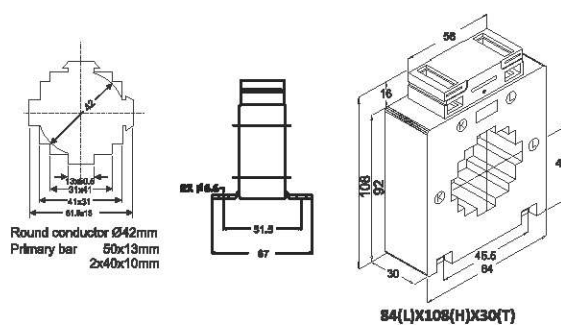
NEM 5B412	Sec - 5A		Sec - 1A
	Max. VA		Max. VA
Primary Current	Class- 0.5	Class- 1.0	Class- 1.0
100	-	2.5	-
125	-	5	5
150	2.5	7.5	7.5
200	5	15	10
250	10	15	10
300	10	15	15
400	10	15	15
500	10	15	15
600	10	15	15

NE 5R50



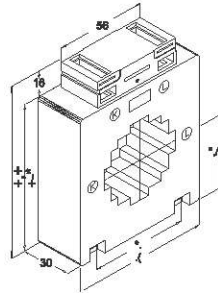
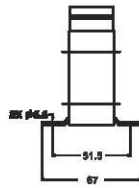
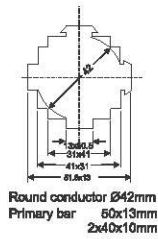
NE 5R50	Sec - 5A		Sec - 1A
	Max. VA		Max. VA
Primary Current	Class- 0.5	Class- 1.0	Class- 1.0
125	-	1.25	-
150	-	1.5	-
200	-	5	5
250	2.5	7.5	5
300	5	10	10
400	10	15	10
500	10	15	15
600	10	15	15
630	15	15	15
750	15	15	15
800	15	15	15
1000	15	15	15
1250	15	15	15
1500	-	15	-

NE 512



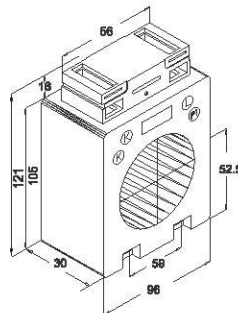
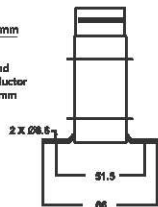
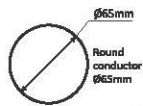
NE 512	Sec - 5A		Sec - 1A
	Max. VA		Max. VA
Primary Current	Class- 0.5	Class- 1.0	Class- 1.0
125	-	1.25	1.5
150	-	1.5	1.5
200	-	5	5
250	2.5	7.5	5
300	5	10	10
400	10	15	10
500	10	15	15
600	10	15	15
630	10	15	15
750	15	15	15
800	15	20	15
1000	20	20	15
1250	20	20	-
1500	20	20	-

NE 6B512



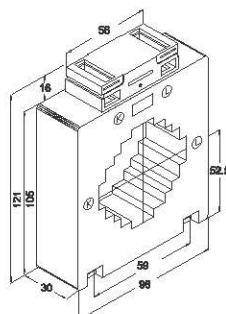
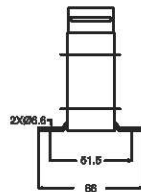
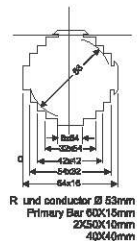
NE 6B512 Primary Current	Sec - 5A Max. VA		Sec - 1A Max. VA	
	Class-0.5	Class-1.0	Class-0.5	Class-1.0
125	-	5	-	3-7.5
150	2.5	7.5	-	5
200	5	10	2.5	7-5
250	7.5	15	5	10
300	10	15	7.5	15
400	15	15	15	15
500	15	15	15	15
600	15	20	15	20
630	15	20	15	20
750	15	20	15	20
800	20	20	20	20
1000	20	20	20	20
1250	20	20	-	-
1500	20	20	-	-
1600	20	20	-	-

NEM 6R 65



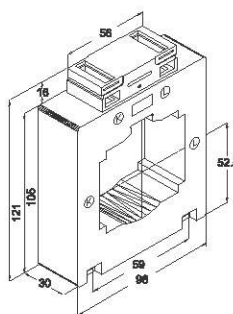
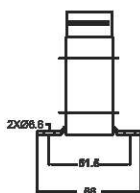
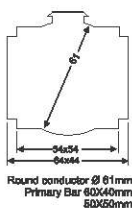
NE 6R65 Primary Current	Sec - 5A Max. VA		Sec - 1A Max. VA
	Class-0.5	Class-1.0	Class-1.0
200	-	2-5	2-5
250	-	5	5
300	5	5	5
400	5	10	7.5
500	10	15	10
600	15	15	15
630	15	15	15
750	15	15	15
800	15	15	15
1000	15	20	15
1250	15	20	15
1500	15	20	15
1600	15	20	15
2000	15	20	-

NE 615



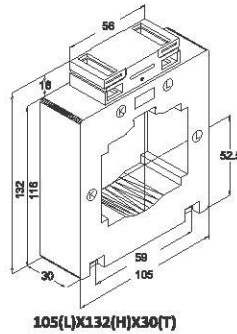
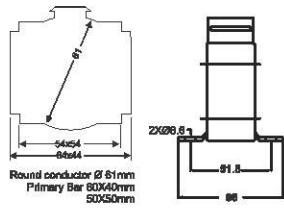
NE 615 Primary Current	Sec - 5A Max. VA		Sec - 1A Max. VA
	Class-0.5	Class-1.0	Class-1.0
200	-	2.5	2.5
250	-	5	5
300	5	5	5
400	5	10	7-5
500	10	15	10
600	15	15	15
630	15	15	15
750	15	15	15
800	15	15	15
1000	15	20	15
1250	15	20	15
1500	15	20	-
1600	15	20	-
2000	15	20	-

NE 640



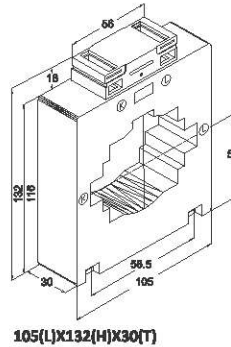
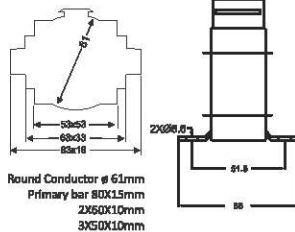
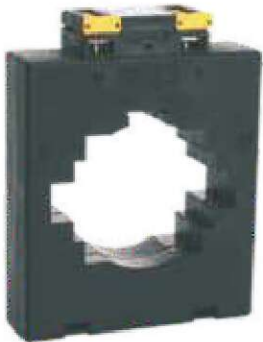
NE 640 Primary Current	Sec - 5A Max. VA		Sec - 1A Max. VA
	Class-0.5	Class-1.0	Class-1.0
250	-	2.5	2.5
300	-	5	5
400	2.5	7.5	5
500	5	10	10
600	10	15	15
630	10	15	15
750	10	15	15
800	15	15	15
1000	15	15	15
1250	15	15	-
1500	15	15	-
1600	10	15	-

NE 8B640



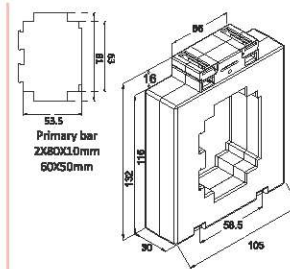
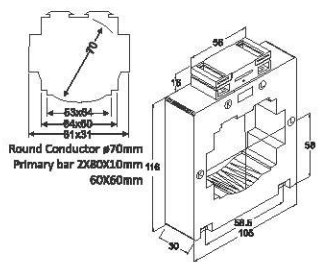
NE 8B640	Sec - 5A		Sec - 1A	
	Max. VA		Max. VA	
Primary Current	Class- 0.5	Class- 1.0	Class- 0.5	Class- 1.0
150	-	2.5	-	2.5
200	-	5	-	5
250	5	7.5	5	7.5
300	7.5	10	7.5	10
400	10	15	10	15
500	15	15	15	15
600	15	15	15	15
630	15	15	15	15
750	15	15	15	15
800	15	15	15	15
1000	15	15	15	15
1250	15	15	15	15
1600	15	15	-	-
2000	15	15	-	-

NE 815



NE 815	Sec - 5A		Sec - 1A
	Max. VA		Max. VA
Primary Current	Class- 0.5	Class- 1.0	Class- 1.0
400	-	3.75	3.75
500	-	7.5	7.5
600	5	10	10
630	5	10	10
750	7.5	10	10
800	7.5	10	10
1000	15	15	15
1250	15	15	15
1500	15	15	15
1600	15	15	15
2000	-	10	-

NE 830H/NE 830V



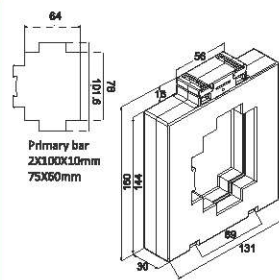
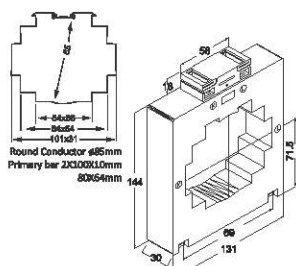
NE 830H

NE 830 V

105(L)X132(H)X30(T)
131(L)X160(H)X30(T)

NE 830H / NE 830V	Sec - 5A		Sec - 1A
	Max. VA		Max. VA
Primary Current	Class- 0.5	Class- 1.0	Class- 1.0
400	-	3.75	3.75
500	-	7.5	7.5
600	5	10	10
630	5	10	10
750	5	10	10
800	7.5	10	10
1000	10	15	-
1250	10	15	-
1500	10	15	-
1600	10	15	-

NE 1030H/NE 1030V

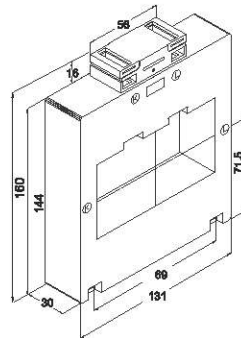
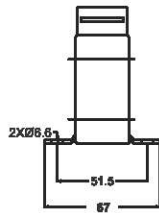
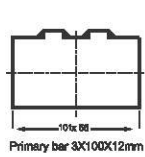


NE 1030H

NE 1030 V

NE 1030H/ NE 1030V	Sec - 5A		Sec - 1A
	Max. VA		Max. VA
Primary Current	Class- 0.5	Class- 1.0	Class- 1.0
600	-	10	7.5
630	-	10	7.5
750	5	10	10
800	7.5	10	10
1000	10	15	10
1250	15	15	10
1500	15	15	10
2000	15	20	15
2500	15	20	15
3000	15	20	-

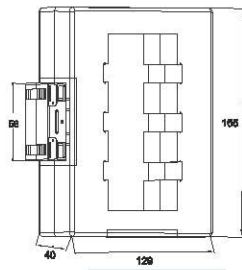
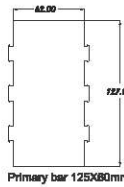
NE 1056



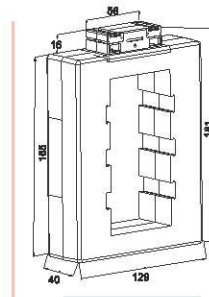
131(L)X160(H)X30(T)

NE 1056	Sec - 5A		Sec - 1A
	Max. VA		Max. VA
Primary Current	Class- 0.5	Class- 1.0	Class- 1.0
600	-	10	-
630	-	10	-
750	5	10	-
800	7.5	10	-
1000	10	10	10
1250	15	15	15
1500	15	15	15
1600	15	15	15
2000	15	15	-
2500	15	15	-
3000	-	15	-

NE 1256H/NE 1256V



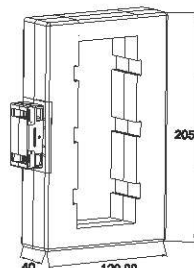
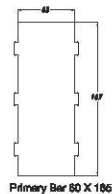
NE 1256H
145(L)X165(H)X40(T)



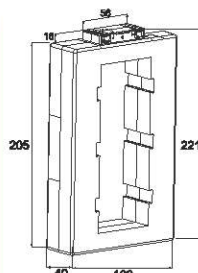
NE 1256V
129(L)X181(H)X40(T)

NE 1256H/ NE 1256V	Sec - 5A		Sec - 1A
	Max. VA		Max. VA
Primary Current	Class- 0.5	Class- 1.0	Class- 1.0
600	-	10	10
630	-	10	10
750	5	15	15
800	7.5	15	15
1000	15	20	15
1250	15	20	15
1500	15	20	15
1600	15	20	15
2000	15	20	20
2500	15	20	20
3000	15	20	20
3200	15	20	20

NE 1656H/NE 1656V



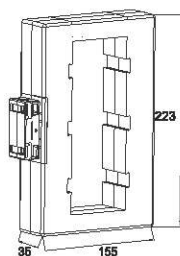
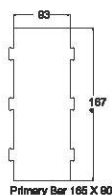
NE 1656H
145(L)X205(H)X40(T)



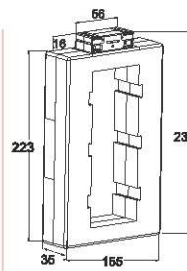
NE 1656V
129(L)X221(H)X40(T)

NE 1656H/ NE 1656V	Sec - 5A		Sec - 1A
	Max. VA		Max. VA
Primary Current	Class- 0.5	Class- 1.0	Class- 1.0
600	-	10	10
630	-	10	10
750	-	15	15
800	10	15	15
1000	15	15	20
1250	15	15	20
1500	15	15	20
1600	15	15	20
2000	15	20	20
2500	15	20	20
3000	15	20	20
3200	15	20	20
3500	15	20	20
4000	15	20	20
5000	-	20	-

NE 1659H/NE 1659V



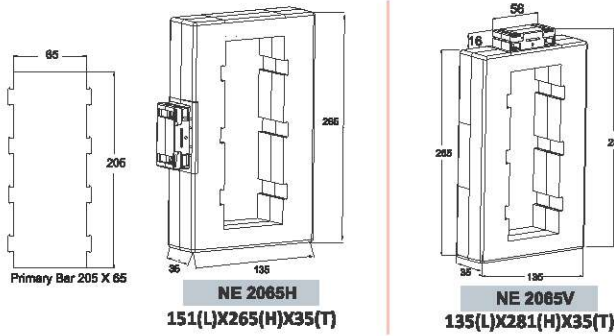
NE 1659H
171(L)X223(H)X35(T)



NE 1659V
155(L)X239(H)X35(T)

NE 1659H/ NE 1659V	Sec - 5A		Sec - 1A
	Max. VA		Max. VA
Primary Current	Class- 0.5	Class- 1.0	Class- 1.0
800	-	15	-
1000	15	15	-
1250	15	15	20
1500	15	15	20
1600	15	20	20
2000	15	20	20
2500	15	20	20
3000	15	20	20
3200	15	20	20
3500	15	20	20
4000	15	20	20
5000	15	20	20
6000	15	20	-

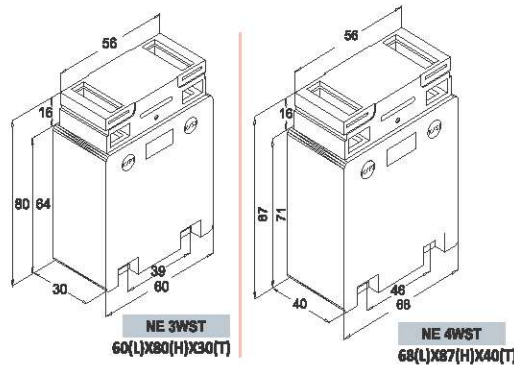
NE 2065H/NE 2065V



NE 2065H/ NE 2065V	Sec - 5A		Sec - 1A
	Max. VA		Max. VA
Primary Current	Class-0.5	Class-1.0	Class-1.0
800	-	15	-
1000	15	15	20
1250	15	15	20
1500	15	15	20
1600	15	15	20
2000	15	15	20
2500	15	20	20
3000	15	20	20
3200	15	20	20
4000	15	20	20
5000	15	20	20
6000	15	20	-

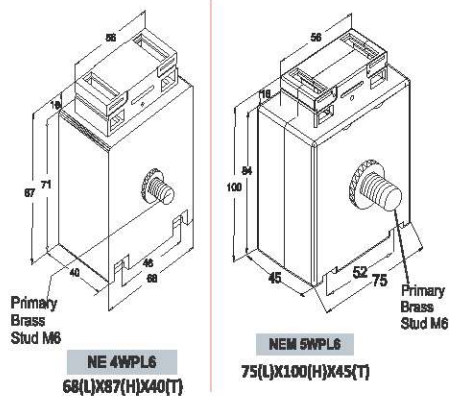
Wound Primary Current Transformers

NE 3WST/NE 4WST



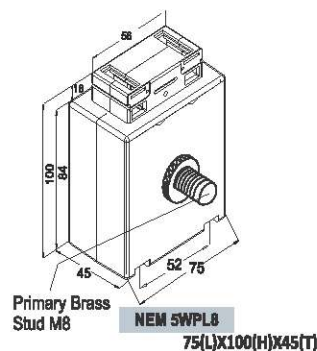
NE 3WST/ NE 4WST	NE 3WST		NE 4WST	
	Sec - 5A	Sec - 1A	Sec - 5A	Sec - 1A
Primary Current	Class-0.5	Class-1.0	Class-0.5	Class-1.0
5	5	5	7.5	7.5
6	5	5	7.5	7.5
7.5	5	5	7.5	7.5
10	5	5	7.5	7.5
12.5	5	5	7.5	7.5
15	5	5	7.5	7.5
20	5	5	7.5	7.5
25	5	5	7.5	7.5
30	5	5	7.5	7.5

NE 4WPL6/NE M5WPL6



NE 4WPL6/ NEM5WPL6	NE 4WPL6		NEM5WPL6		
	Sec - 5A	Sec - 1A	Sec - 5A	Sec - 1A	
Primary Current	Class-0.5	Class-1.0	Class-0.5	Class-1.0	Class-1.0
5	5	5	15	15	15
6	5	5	15	15	15
7.5	5	5	15	15	15
10	5	5	15	15	15
12.5	5	5	15	15	15
15	5	5	15	15	15
20	5	5	15	15	15
25	5	5	15	15	15
30	5	5	15	15	15
40	5	5	15	15	15

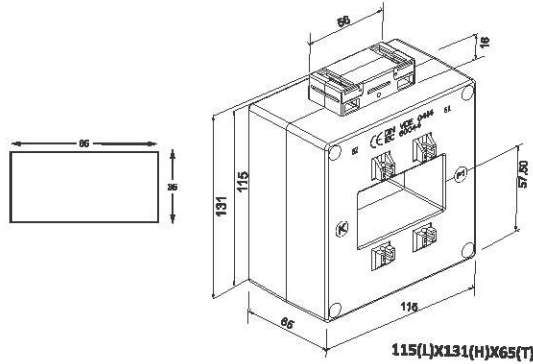
NEM 5WPL8



NEM 5WPL8	Sec - 5A		Sec - 1A
	Max. VA		Max. VA
Primary Current	Class-0.5	Class-1.0	Class-1.0
50	15	15	15
60	15	15	15
75	15	15	15
80	15	15	15
100	15	15	15

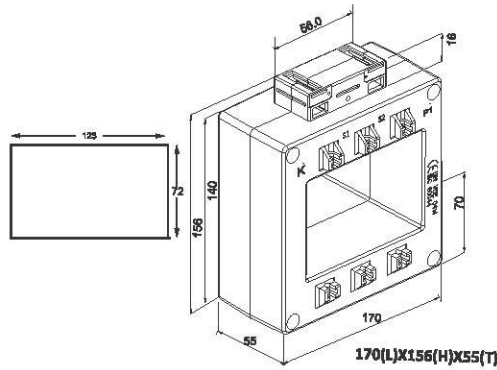
Protection Class CT's in Nylon Casing

NEP 635H



NEP 635H	Sec - 5A		
	Max. VA		
Primary Current	Class-5P10	Class-5P20	Class-10P20
300	5	-	-
400	7.5	-	-
500	10	-	-
600	10	5	5
630	10	5	5
700	15	5	5
750	15	5	5
800	15	5	5
1000	15	5	5
1200	15	5	5
1250	15	5	5
1500	15	5	5
1600	15	5	5
2000	15	-	-

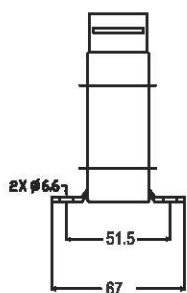
NEP 1257H



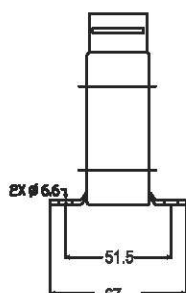
NEP 1257H	Sec - 5A	
	Max VA	
Primary Current	Class-5P10	Class-10P10
800	7.5	7.5
1000	10	10
1200	10	10
1250	10	10
1500	10	10
1600	10	10
2000	10	10
2500	10	10

All Dimensions are in "mm"

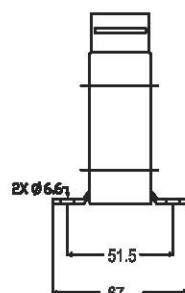
Base Mounting Dimensions of Remaining Models



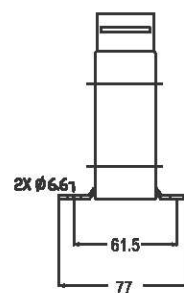
NE 830,
NE 830V



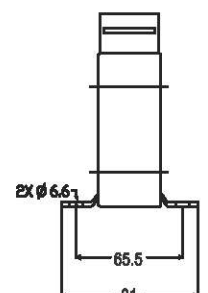
NE 1030,
NE 1030V



NE 3WST



NE 4WST,
NE 4WPL6

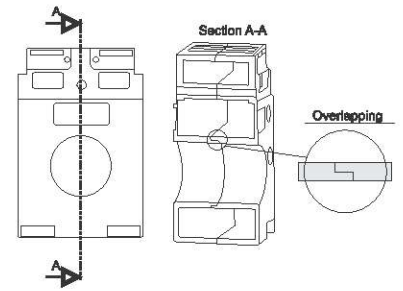


NEM 5WPL6,
NEM 5WPL8,
NEM 5WPL10

NEWTEK CTs:

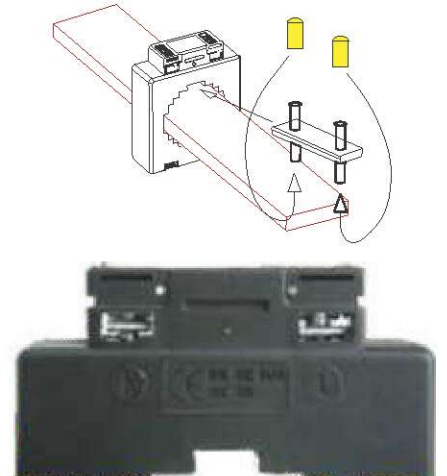
Increased Safety -

The joining point where the two halves of the housing meet inside the primary bar opening is crucial to safety. Quite in accordance with NEWTEK's motto - safety is built into our products - the two halves of the housing are not aligned with a butt joint, instead they are made to overlap in the new NE series. Insulated Protective Caps For Primary Fixing Bolts - To protect against unintentional contact the bolts of the primary fixing devices can be covered by protective insulation caps.



The NEWTEK Secondary Terminals -

In this clamping system pressure is transmitted by means of a nut (Pad) to the ends of the conductor (Lift principle). The conductor is therefore loaded only under pressure and cannot be damaged by rotating components. Thanks to our clamping system the ends of the conductors are clamped over a wide area which ensures lower contact resistance. Pressure forces of several hundred Newton's are reached. In these way conductors even with multiple, fine and extremely fine wires are so well compressed that no harmful gases can penetrate to cause corrosion. It therefore provides an extremely long lasting connection even in aggressive industrial environment. The plus - minus slot of the M5 (0.5mm) screws allows ease in handling. At the NE series both, screws and nuts are designed in such a way to prevent unintentional loosening.



Mounting Arrangement of Newtek CTs



Secondary Terminal Covers



Base Mounting Clamp



Bus Bar Mounting Clamp



Din Rail Mounting Clamp



Bus Bar Mounting for Protection CTs



Bus Bar Mounting for Low Burden CTs

General Features of NEWTEK Current Transformers

Electrical Features

- Rated frequency = 50-60 Hz
- Class of insulation = E
- Rated short time thermal current $I_{th} = 60 I_n$
- Nominal surge current $I_{dyn} = 2.5 I_{th}$
(Minimum 100 kA at all window type CT's)
- Highest voltage for equipment $U_m = 0.72Kv$ (Other voltages on request)
- Rated power-frequency withstand voltage = 4Kv/1min (Other voltages on request) Instrument security factor = F_s5

Mechanical Features

- Unbreakable, flame retardant, self-extinguishing
- Nylon casing of grade UL 94 V2.
- Cores are made from high grade CRGO material.
- Dual coated copper wire having class of insulation H.
- Nickel plated secondary terminals with plus mins screws of 0.5Nm.
- Integrated secondary terminal caps.

Special Notes

- CT's also available in 0.55, 0.2 and 0.2S accuracy class on request.
- Other V_a 's are as per customer requirement.

Applicable Standards:

- Current Transformer: IS: 2705/1992; IEC/EN: 60044-1
- Potential Transformer: IS: 3156/1992; IEC: 60044-2
- Control Transformer: IS: 12021/1987; IEC: 60044-2

Control & Potential Transformer:

- Newtek provides tailor made range of LT Potential & Control Transformer as per customers demand both in single phase & three phase system, in Resin Cast/Tape Insulated/Varnish Impregnated type of Insulation.
- Voltage range 0 to 690V, Max VA:-10kVA. We can supply dual secondary, tap changer type PTs & Control Transformers.
- Available Class of PTs: 0.2, 0.5, 1.0 3P, 6P We can provide you IVTs, RVTs on demand.

Accessories



Base Clamp



Shrouding Cap for Resin Cast CTs



Bus Bar Lock for NE210S & NE310S Model



Dirnail Clamp



Base Clamp for Resin Cast CTs



Bus Bar Clamp



Shrouding Cap for WPL CTs

Newtek Resin Cast CT's

Newtek Electricals also innate the expertise in design and manufacturing of conventional resin cast CT's. as well as protection class CT's VIZ, 5P5, 5P10, 5P20 & PS Class CT's.



newtek electricals

 M-90 M.I.D.C Waluj,
Aurangabad 431136, Maharashtra, India.

 +91-0240 2551555 / 9372862651, 9372862647

 sales@newtekelectricals.com
mkt.south@newtekelectricals.com
mkt.west@newtekelectricals.com
mkt.east@newtekelectricals.com
mkt.north@newtekelectricals.com

 www.newtekelectricals.com