

Manufacturer & Exporter

MV Current & Potential Transformers



ISO 9001:2015



CE LVD and EMC

15+
Years of
experience

5000+
Successful
projects

15,000+
Sq.ft manufacturing
facility

500+
Domestic
customers

Newtek CTs have worked without failure for over 10 years, and are a proven imports substitute.



World-class manufacturing, quality and supply systems

Newtek Electricals is the first company to introduce nylon flame retardant casing current transformers in India, and the product is now exported to other countries as well. While meeting high demand for quality, the company has developed a reputation for continuously upgrading its technology, and delivering world-class products.

Today, Newtek Electricals has emerged as one of India's leading manufacturers and exporters of CT/PTs in resin cast and nylon casing.

Our Story...

- 2005** Indo-German joint venture Wintek Electricals founded.
- 2007** Newtek Electricals is formed as an independent entity.
- 2008** Introduced Nylon casing CTs for the first time in India; fulfills order for 70,000 CTs.
- 2009** **New!** 10,000 sq ft manufacturing facility, resin cast CTs introduced. Supplied Customized products.
- 2014** Supply of 1,15,000 CTs for 4G towers, R&D facility established, MF meters launched.
- 2020** Begins in-house manufacturing of CT core. New split core CTs introduced.

Manufacturing & Quality Testing Processes approved by leading Indian and International Customers



End-to-end Capabilities for global supply chains

R&D Capabilities

- › First company in India to introduce Nylon flame retardant casing current transformers
- › Dedicated R&D center and team to develop new products
- › Recently introduced new nylon casing split core CTs
- › Webinars are organized regularly to update customers of trends in electrical technology and resolve their issues.

Sales and Service

- › Products exported to Middle East, South Africa and Europe
- › Approvals from leading Consultants, MNCs, Govt. Agencies in India & overseas markets

Manufacturing

- › State-of-the-art manufacturing facility of 10,000 sqft. in Aurangabad
- › Monthly output capacity of 60,000 CT units.
- › ISO 9001:2008 certified company

**Approvals from
Project/Electrical
Consultants in
over 20+
Industries**



Product approvals by leading Consultants

- › MECON Limited
- › AECOM (previously Spectral Services Consultants Pvt. Ltd.)
- › Entask Consultancy Services
- › Tata Consulting Engineers
- › C.R. Narayan Rao Consultants
- › Powertec Engineering
- › Avant-Garde Engineers & Consultants
- › Satyavani Consultants
- › Karmaa SR Consultants Pvt. Ltd.
- › Design Bureau
- › IBI
- › Arup Consultant
- › Lead Consultants
- › Fichtner India
- › Power Drive Engineers
- › Archivista Engineering Projects Pvt. Ltd. (AEPPL)
- › Aami Associate Consulting Engineers
- › RSP Design Consultants India
- › Synergy Infra Consultants Pvt. Ltd.
- › J. P. Mukherji & Associates
- › Excel Design Engineers
- › Unique Consultant Services
- › Kausi Consultancy Services
- › Spectrum Pharmatech
- › Currie Brown
- › Unik Engineering Services
- › Arnita Consultants Pvt. Ltd.
- › Aevitas Pharmagro
- › Ralys Consulting Engineers
- › SYSN Consultants
- › Adarsha Developers
- › Raj Electrical Designs
- › S. M. Engineers & Consultants
- › Convenient Construction & Consultancy Pvt. Ltd.
- › Semac Consulting Engineers
- › Abhiyanta Electricals and Engineers Consultants
- › Mott MacDonald
- › S. N. Joshi Consultants
- › ESKAYEM Consultants
- › S. R. Associates
- › Knexir Consultants Pvt. Ltd.
- › Mott MacDonald
- › STUP Consultants Pvt. Ltd.
- › Chettiar Consulting Engineers
- › IPS Mehtalia
- › Vidyut Sallagar Pvt. Ltd.
- › CAMES
- › Ajit Kulkarni Consultant
- › SAN Consultants
- › Sripeksha Engineering Consultancy Services Pvt. Ltd.

**Comprehensive
Range of CT/PTs
and Multi-Function
Meters (MFM)**



Current Transformer Nylon Casing

Metering Type CT'S

- > Window Type CT'S (Bus Bar)
- > WPL Type
- > Round ID Type CT'S

Protection Type CT'S

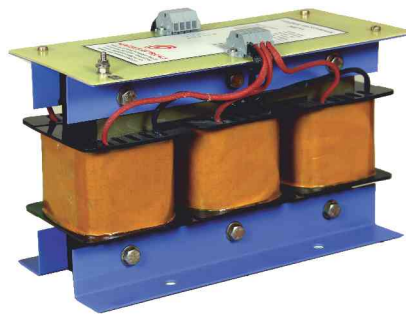
- > Nylon Casing-Protective Type Bus Bar



Resin Cast-Round ID

Metering Type CT'S

- > Resin Cast - WPL
- > Resin Cast - Bus Bar
- > Resin Cast - Round ID



Control Transformer

- > Single-phase Resin Cast
- > Three-phase Resin Cast



Digital Meter

- > Energy Meter
- > MFM Meter
- > VAF Meter
- > DPM Meter

End Customers

 VALE SHIPPING HOLDING PTE. LTD.	 Reliance Infrastructure	 BANGLADESH STEEL RE-ROLLING MILLS	 TATA
	 HINDUSTAN SHIPYARD LTD.	 TAMIL NADU ELECTRICITY BOARD Powering the Progress of Tamil Nadu	 NAVI MUMBAI METRO
 Mahindra Satyam			

500+ Domestic Customers

100+ Overseas Customers

5000+ successful projects



Data Centre

Amazon Data Services India Pvt Ltd, All over India, Hyderabad
 Amazon Data Services India Pvt Ltd, Hyderabad
 Amazon Data Services India Pvt Ltd, Banglore, Chennai, Pune, Hyderabad, Kolkatta, Telangana, Mumbai
 CTRLS Datacentre Ltd, Mumbai
 NXTRA, Hinjewadi, Pune
 STT Gobal Data Center, Dighi, Pune
 STT Gobal Data Center, KalliKuppam, Chennai
 Yotta Data Center, Panvel
 Wipro Data Center, Pune
 Barclays Bank Data Center, Pune
 Cadence Technology Centre
 NSEZ Noida, Noida
 Tele Performance Ind
 Vodafone Ambala, Amabala
 STT Gobal Data Center, Pune



Industrial

Metalman Auto, Aurangabad
 Parason Group, Aurangabad
 Endurance Technology, Aurangabad
 National Dairy Development Board, Bhilwara
 Indapur Dairy & Milks Product Ltd, Baramati
 Dhariwal Industries Pvt Ltd, Pune



Metro & Airport

DMRC - Dwarka & Dhansha UG Stn., Delhi
 Mumbai Metro, Mumbai
 Mauritius Metro, Mauritius
 Bangalore Metro, Bangalore
 Chennai Metro, Chennai
 Nagpur Metro, Nagpur
 Pune Metro, Pune
 Western Railway, Bandra Terminus
 Shirdi Airpot, Shirdi Air Port



Infrastructure

India Bulls, Parel, Mumbai
 Godrej Properties-Godrej Emerald, Mumbai
 Runwal Group-Runwal Forest, Mumbai
 Bhartiya Developers-Bhartiya City, Bengaluru
 Prestige Group-Prestige Gul Mohar, Bengaluru
 Mantri Developers-Mantri Arena Mall, Bengaluru
 Sobha Developers-Sobha Arena, Bengaluru
 August Ventures Pvt Ltd-August Grand, Bengaluru
 Godrej Properties-Godrej Eternity, Bengaluru
 Assetz Properties-Assetz 63° East, Bengaluru
 Nambiar Builders-Nambiar Ellegenza, Bengaluru
 Bhartiya Developers-SEZ-2 Block-2 Food Court, Bengaluru
 Bhartiya Developers-Hotel Leela, Bengaluru
 Bhartiya Developers-Bhartiya City Developers School, Bengaluru
 Central Mall at Bund Garden, Pune
 MAX TOWERS, Noida
 Jagatrguru Kripalu Mandir at Mangarh, Mangarh, UP
 REACH AIRIA Mall, Gurugram
 Samsung Noida, Noida
 Seaview Developers, Noida
 Shalimar Mall, Lucknow
 Trinity Touch Pvt. Ltd Prithla, Palwal
 IIT, Roorkee
 Skytech Leasing Solution, Mohali
 Taj Vivanta, Mumbai
 NSE School International School, Mumbai
 Kharadi Pentagone, Kharadi, Pune
 SHALIMAR, Nashik
 University of Mumbai, Mumbai

5000+
successful
projects



Healthcare Pharma

Harman Pharama, Aurangabad
MAX Hospital Noida, Noida
Innova Cap Tabs, Baddi (HP)
SJS Hospital (Apolo Hospital),
Ludhiana
Centrient Pharmaceuticals India
Pvt Ltd, Toansa, District SBS Nagar
(Nawanshahr), Punjab
Delta Biopharma, Chennai
Trident, Chennai
Skytech leasing solution
Emami Group, Pune
Intas Phramaceuticals Ltd,
Ahmedabad
Lupin Ltd, Pithampur
Alkem Laboratories Ltd,
Taloja, Panvel
Unison Pharmaceuticals Pvt Ltd,
Ahmedabad
Glenmark Life Sciences,
Ankleshwar
Himedia Laboratories Pvt Ltd,
Nashik
Kimberley Clark, Pune
Mehta Hospital, Sangli
Synergia Life Sciences,
Gandhinagar
Centure Pharma
Ajantha Pharma, Aurangabad
MSN Lab, Hyderabad



Genset

Cummins Generator Technologies,
Pune
Kirloskar Gensets, All OEM in India
Mahindra Gensets, All OEM in India



Malls

Patna Malls, Patna
Footpark Mall, Indore
Lotus Mall, Bangalore
Magarpatta Mall, Pune
Shoppers Stop,
(Mumbai, Bhopal)
Best Price, Aurangabad



Steel

JSW SMS2, Dolvi, Maharashtra
JSW Sinter Project, Dolvi,
Maharashtra
JSW Bar Mill Project, Dolvi,
Maharashtra
JSW Caster, Dolvi, Maharashtra
Super Smelter Ltd.
Rungta Mines Ltd.
Raic Integrated Sponge &
Power Pvt Ltd
Jai Balaji Industries Ltd.
Electro Steel Casting Ltd.
Electrosteel Steels Ltd, Bokaro
Ambica steel, Sahidabad
ALBA Outotec, Bahrain
Electrosteel Steels Ltd, Bokaro
ALBA Bectel
M/S. Hindustan Copper Ltd,
Khetrinagar,
Rajasthan
JSW Steel, Dolvi, Maharashtra
MOIL Ltd, Nagpur
Vendata Steel, Jharsuguda,
Orissa
Shera Energy Pvt Ltd, Jaipur
Kalika Steel, Jalna



Automobile

ARAI, Pune
ESSAR, Mumbai
VHCL, Umbergaon
Mahindra Vehicle, Chakan
Woco Motherson,
Gandhidham
VE Commercial Vehicles,
Pithampur
Honda Motorcycle &
Scooters India, Narsapura



Government

MTRDC, Bhopal
PWD, Bhopal
BHEL Site Office, Ranchi

5000+
successful
projects



Oil & Gas Chemical

JBF Petrochemicals, Mangalore
 NUBERG - 9640 &
 NUBERG - 59640
 Indian Oil Corporation Ltd, Panipat
 Haldia Petrochemicals, Haldia
 Coal India
 BRPL, Bongaigaon
 Dangote Refinery, Nigeria
 ISGEC, Turkey
 Kuwait Oil Corporation, Kuwait
 IOCL, Faridabad
 IOCL, Vishakhapatnam
 IOCL, Khachurao
 IOCL, Korba
 Laxmi Organics, Mahad, Raigad
 IG Petrochemicals Ltd Taloja, Raigad
 BPCL Mumbai
 Rashtriya Chemical Fertilizers Ltd
 (RCF) Chembur, Mumbai
 IOCL, Kochi
 IOCL, Faridabad
 Hemani Chemicals Pvt Ltd, Mumbai
 Rallis India Ltd, Dahej
 Rallis India Ltd, Dahej
 Hikal, Bangalore
 IOCL, 6 Different Locations
 Unichem Laboratory, Alibaug



Power Segment

Adani, Baroda
 JSPL, Tamnar
 BARC, Tarapur
 Banjrang Power, Raipur
 LVDCO_Micro Grid, Vadodara
 Adani Power, Andhra Pradesh
 TATA Power, Mumbari
 Duragapur Steel Thermal
 Power Station, Durgapur



IT

Mahindra Satyam
 Cyber City, Hyderabad
 Cybermotion, Hyderabad
 TCS Yantra Park, Mumbai
 Wipro Data Center, Hyderabad
 HCL, Madurai
 Trinity Software Solution, Hyderabad
 Shell IT Centre, Bangalore
 Intel, Ho Chi Minh



PP & Utility

Kaleshwaram Lift Irrigation,
 Telangana
 NTPC - Daripalli TPP
 (2X800MW), Daripalli
 BHEL, Ranipet/NTPC
 Kahalgaon Thermal Power Plant
 Project 4X210MW, Ranipet
 VA Tech Wabab Ltd./Delhi Jal
 Board, Delhi
 VA Tech Wabab Ltd./Delhi Jal
 Board, Tripura
 Bhutan Power Corporation,
 Dagapela & Samcholling S/S
 GE Hassyan, Dubai
 100MW Solar Power Plant,
 Vijayawada (AP)
 PGGGA Microgrid, Australia
 Alinta_Microgrid, Newman
 Robben Island_Microgrid,
 Robben Island
 MHPS_Olkaria V Geothermal
 Power Plant, Nakaru, Kenya
 Vattenfall_Microgrid, Vattenfall
 Sai Wardha Power, Chandrapur
 Tata Power, Mumbai
 Eastern Region Strengthening
 Scheme-Bihar (PGCIL), Motihari
 BHEL, TANTRANSKO
 Power Transmission Corporation
 Of Uttarakhand Ltd,
 Uttarakhand
 Alstom, Poland
 APGENCO, Nellatur, Nellore
 TNEB Cogen, Chennai
 CSPDCL
 MPMKVCL, Bhopal & Gwalior



Petroleum

HPCL, Sugauli
 Indian Oil Tank, Bhogat
 IOCL, Ennore, Chennai
 IOCL, Trisundi
 BPCL, Mumbai
 JBF Petrochemicals Ltd,
 Mangalore
 TEXOL IOCL - Anaka
 Schalttafel, Faridabad

5000+
successful
projects



Sugar

Bagamoyo Sugar Ltd, Tanzania
Uttam Sucrotech - Vallabh Bhai Patel Shakkar Karkhana, Cattishgarh
Al Ghurair, Dubai Ac Uttam Energy, Dubai
Green Power Sugars, Satara
Balrampur Chinni Mill, Balrampur
Twentyone Sugars Latur, Maharashtra
Balrampur Chinni Mill (1), Balrampur
ISGEC - Twentyone Sugars Latur, Maharashtra
UTTAM ENERGY - Pernod Ricard India
Audumbar Patil Sugars, Solapur, Maharashtra
Balrampur Chinni Mill(2), Balrampur
Balrampur Chinni Mill(3), Balrampur
Vitthal Refined Sugar, Solapur, Maharashtra
Shankar Ratna Sugars, Pune
Solapur, Maharashtra
Shankar Ratna Sugars1, Pune
Shankar Ratna Sugars, Pune
Daund Sugar, Pune
ISGEC - UPSSCL Pipraich (Gorakhpur, UP) of Sugar Mill of UPSSCL, Gorakpur
KPR Sugar Mill, Coimbatore
Siddheshwar Karkhana Solapur, Maharashtra
Gangamai Sugars Ltd, Shegaon, Ahmadnagar
Chattrapati Sambhaji Rajee Sakhar Udyog Ltd, Chitte Pimpalgaon, Aurangabad
Bhaurao Chavan SSKL, Nanded, Maharashtra
Shree Siddhivinayak Agri Tech Industries, Osmanabad, Maharashtra



Textile

Welspun India Ltd
Bhilosa, Silvasa
Mathura Inds, Valsad
Creative Textile, Balitha
Santham Textile, Silvasa
Subam Textiles, Coimbatore
Vardhman Textiles, Ludhiana
Kirloskar Toyota Textile Machinery



Cement

ACC Cement, Vizag
Century Cement, Raipur
Birla Cement, Chittorgarh
Aditya Cement, Chittorgarh
Sagar Cement, Hyderabad



Hotel

Silver Tower
Hotel Grand Haytt, Goa
Le Meridien, Coimbatore
Hotel Lotus Midtown, Mumbai
AIIMS, Delhi



Shipyard

Cochin Shipyard, Cochin
Bharti Shipyard, Mumbai
Hindustan Shipyard, Vizag
ABG Shipyard, Cochin
Goa Shipyard, Vosco Da Gama



Beverages

Coca Cola, Varanasi
Carlsberg, Aurangabad



Polyester

Garware Polyesters Ltd, Aurangabad
Wellknown Polyesters Ltd, Daman

5000+
successful
projects



Telecom

Reliance JIO, Mumbai
Reliance Communication,
Mumbai
Reliance 4G, Mumbai
Tata Communication,
Bengaluru



Banking

ICICI Bank, Chandivali
Bank of India, Mumbai
Deutsche Bank, Mumbai
SBI Data Center, Hyderabad



Defence

HAL, Bengaluru



Energy

Alstom, Vadodara
Bharat Bijli, Airoli
Cummins, Pune
Kirloskar, Saswad
Haldia Energy Ltd



Educational

Rajiv Gandhi College,
Chandigarh
Karpagam Medical College,
Coimbatore



Pulp & Paper Mill

PT Pindo, Indonesia
Subam Papers



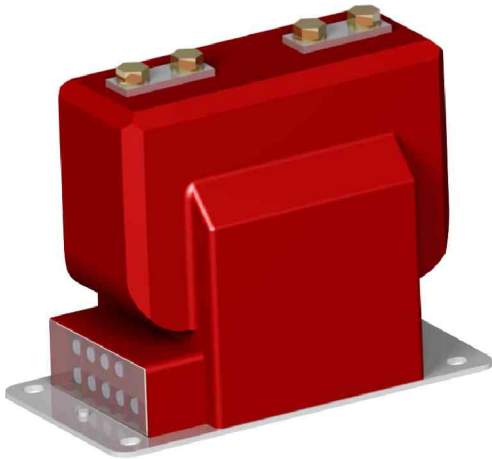
Submarine

VALE Project, Brazil

Products

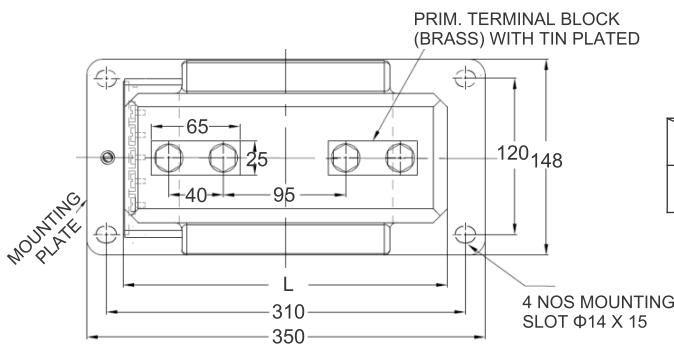
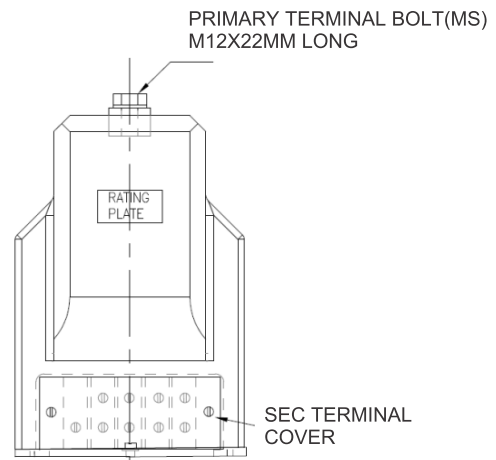
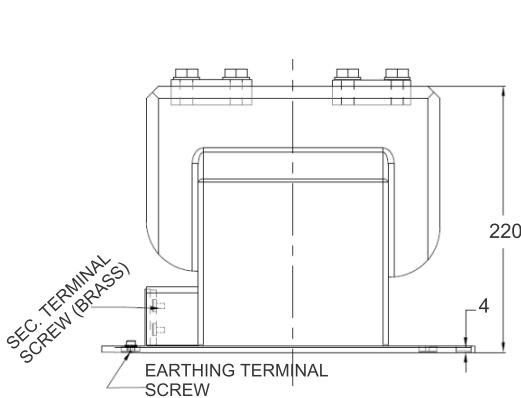
MV Current Transformers

HSV: 3.6kV to 15kV



Indoor Wound Primary Type Current transformers -

Wound primary Design, Cast-Resin insulated, upto 3 cores.
The alternative combinations of rated primary currents, rated short-time thermal currents and core data are available on request.

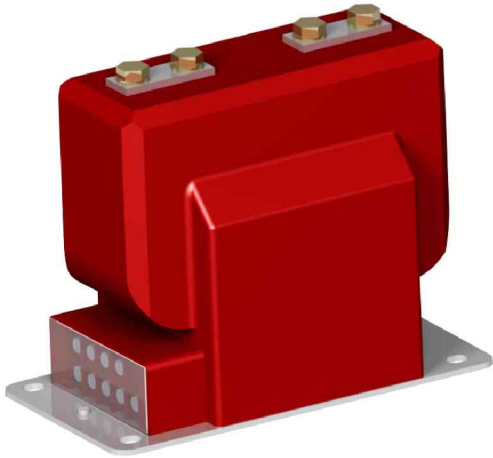


TYPE DIM.	NE11-A	NE11-B	NE11-C	NE11-D	NE11-E
L	165	220	240	260	280

NOTE: FOR L=165 PLATE SIZE 245X148 AND MOUNTING CD 195X120

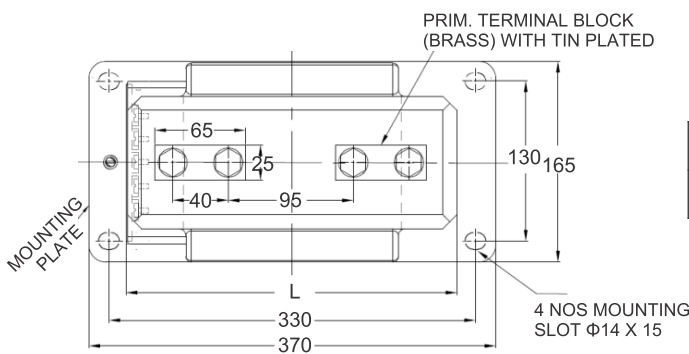
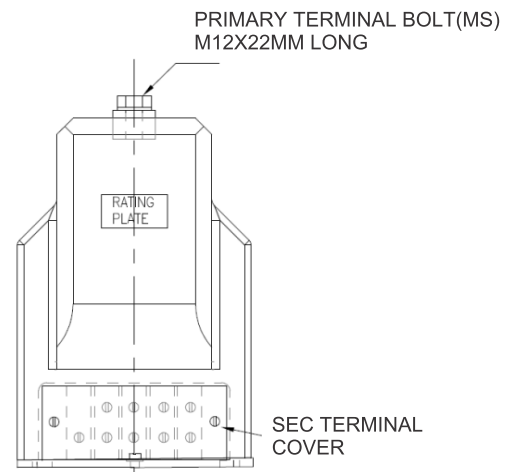
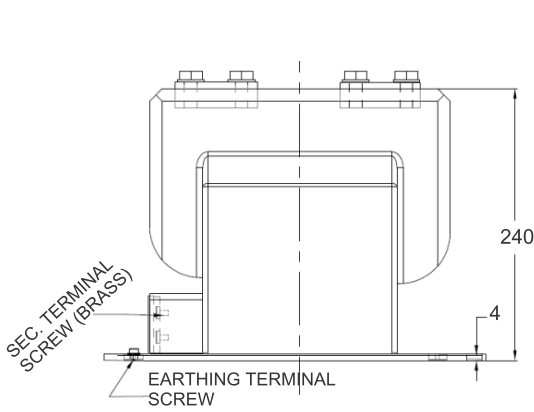
Operating Voltage (max) (kV)	Rated power-frequency with stand voltage 1 min (kV)	Impulse test voltage 1.2/50 us full wave (kV)	Rated primary current (A)	Secondary current (A)	Rated short-time thermal current (kA)	Rated dynamic current (kA)	Number of cores (max)
3.6	10	40	20 to 1250	5 or 1	40	100	3
7.2	20	60		5 or 1	40	100	3
12	28	75		5 or 1	40	100	3
15	35	95		5 or 1	40	100	3

HSV: 3.6kV to 15kV



Indoor Wound Primary Type Current transformers -

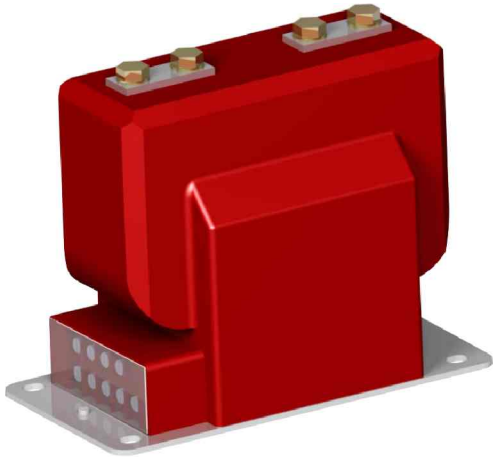
Wound primary Design, Cast-Resin insulated, upto 3 cores.
The alternative combinations of rated primary currents, rated short-time thermal currents and core data are available on request.



TYPE	NE11-AB	NE11-AC	NE11-AD	NE11-AE
DIM.				
L	200	240	270	300

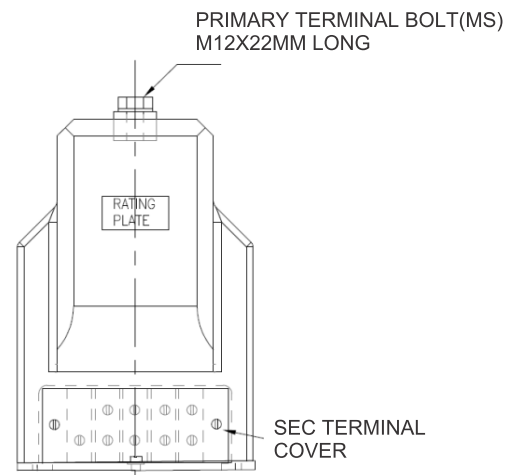
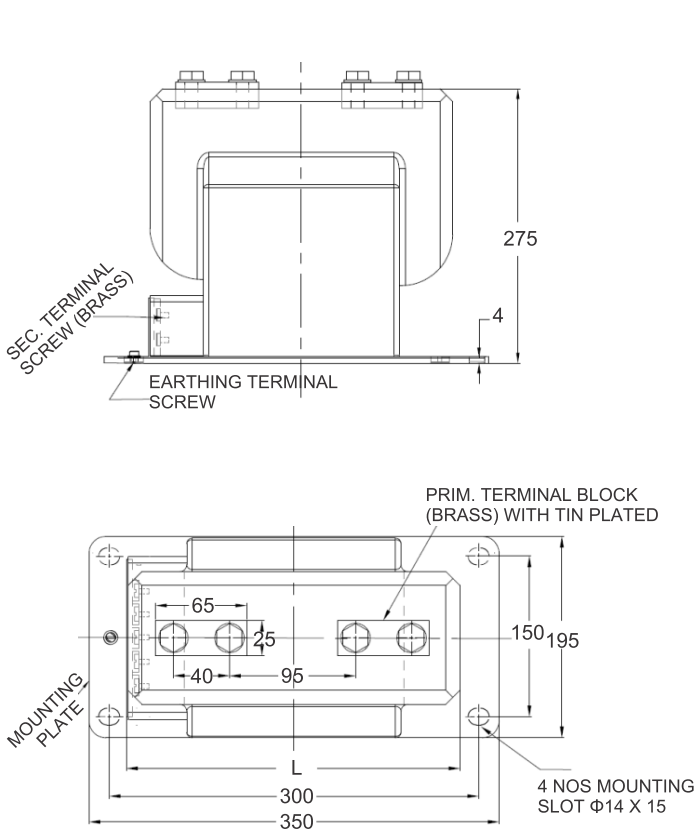
Operating Voltage (max) (kV)	Rated power-frequency with stand voltage 1 min (kV)	Impulse test voltage 1.2/50 us full wave (kV)	Rated primary current (A)	Secondary current (A)	Rated short-time thermal current (kA)	Rated dynamic current (kA)	Number of cores (max)
3.6	10	40	20 to 1250	5 or 1	40	100	3
7.2	20	60		5 or 1	40	100	3
12	28	75		5 or 1	40	100	3
15	35	95		5 or 1	40	100	3

HSV: 24kV



Indoor Wound Primary Type Current transformers -

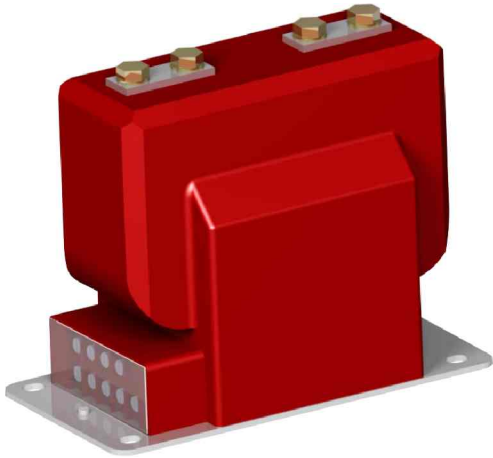
Wound primary Design, Cast-Resin insulated, upto 3 cores.
The alternative combinations of rated primary currents, rated short-time thermal currents and core data are available on request.



TYPE DIM.	NE22-A	NE22-B	NE22-C	NE22-D
L	185	220	250	300

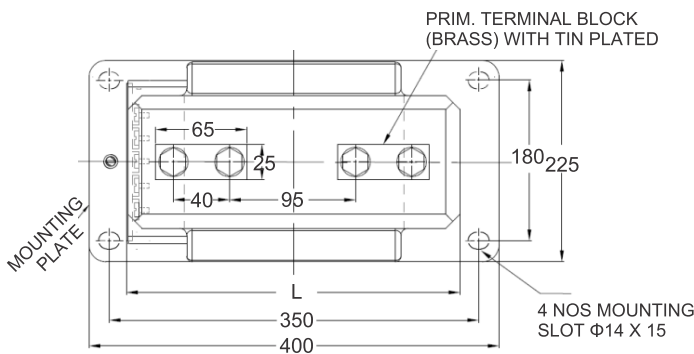
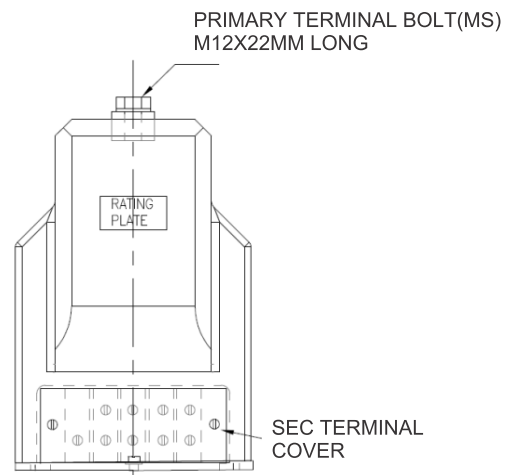
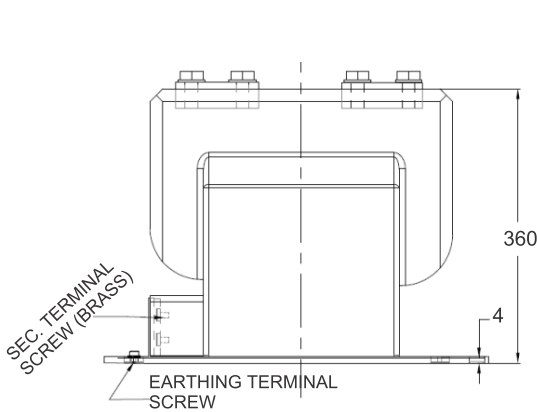
Operating Voltage (max) (kV)	Rated power-frequency with stand voltage 1 min (kV)	Impulse test voltage 1.2/50 us full wave (kV)	Rated primary current (A)	Secondary current (A)	Rated short-time thermal current (kA)	Rated dynamic current (kA)	Number of cores (max)
24	50	125	20 to 1250	5 or 1	31.5	78.75	3

HSV: 36kV



Indoor Wound Primary Type Current transformers -

Wound primary Design, Cast-Resin insulated, upto 3 cores.
The alternative combinations of rated primary currents, rated short-time thermal currents and core data are available on request.

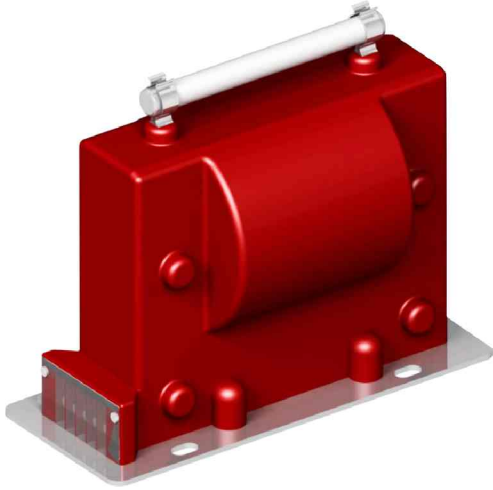


TYPE DIM.	NE33-A	NE33-B	NE33-C	NE33-D
L	205	250	300	350

Operating Voltage (max) (kV)	Rated power-frequency with stand voltage 1 min (kV)	Impulse test voltage 1.2/50 us full wave (kV)	Rated primary current (A)	Secondary current (A)	Rated short-time thermal current (kA)	Rated dynamic current (kA)	Number of cores (max)
36	70	170	20 to 1250	5 or 1	31.5	78.75	3

MV Potential Transformers

HSV: 12kV

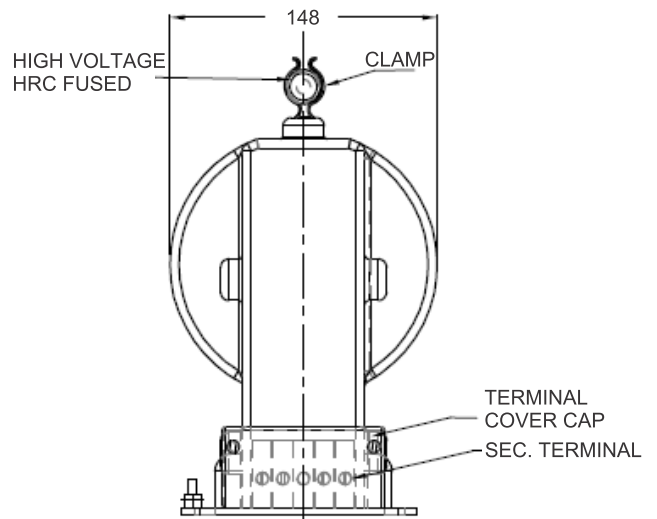
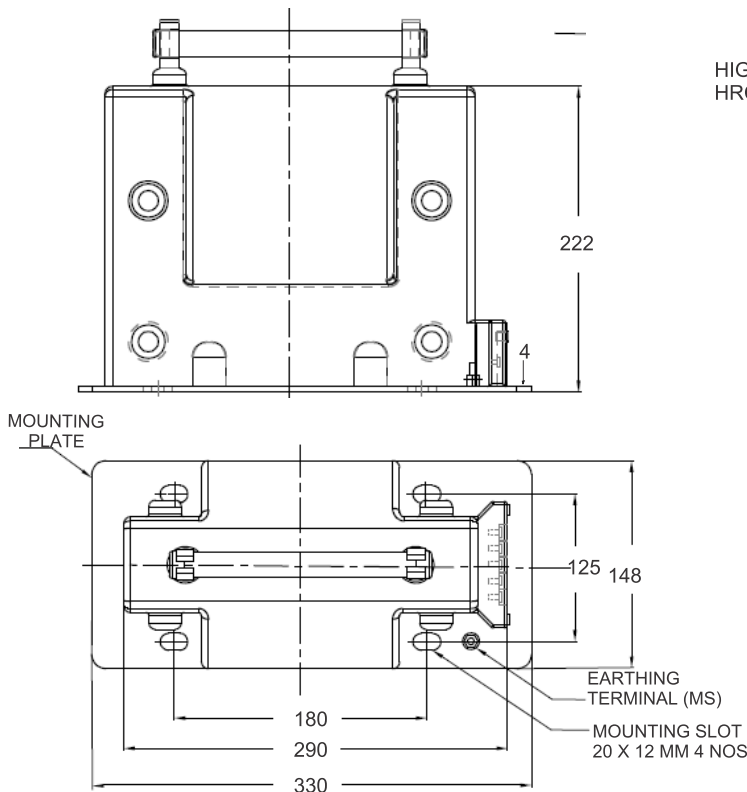


Indoor Voltage transformers -

Cast -Resin insulated, upto 2 secondary windings.

Burden And Accuracy class combination on request.

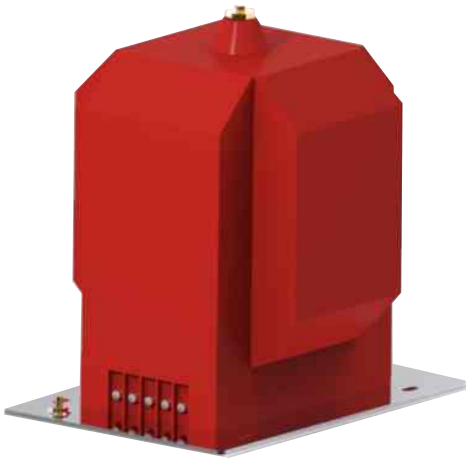
Model without fuse in same overall dimension available on request.



TYPE	NERCPT12-A
------	------------

Operating Voltage (max) (kV)	Rated power-frequency with stand voltage 1 min (kV)	Impulse test voltage 1.2/50 us full wave (kV)	Rated frequency (Hz)	Rated primary voltage (kV)	Secondary voltage (V)	Rated voltage factor 1.2 cont./8 hrs
3.6	10	40	50 to 60	$3.3/\sqrt{3}$	$110/\sqrt{3}$	1.5
7.2	20	60		$6.6/\sqrt{3}$	$110/\sqrt{3}$	1.5
12	28	75		$11/\sqrt{3}$	$110/\sqrt{3}$	1.5

HSV: 22kV

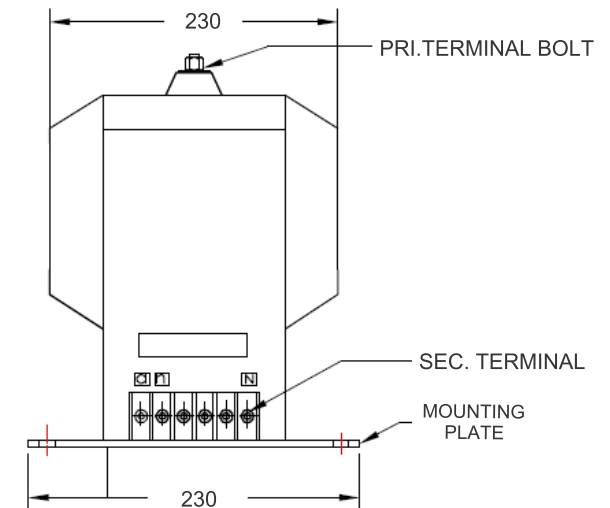
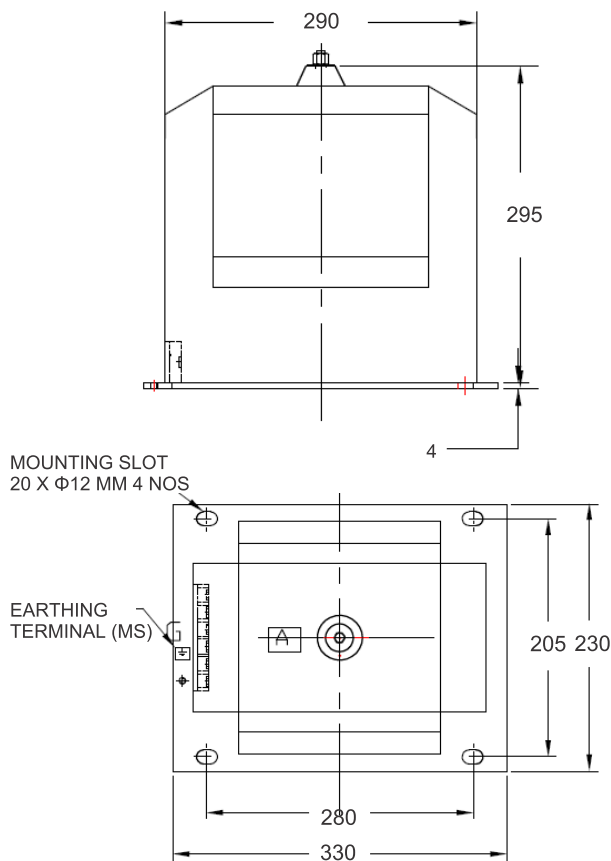


Indoor Voltage transformers -

Cast -Resin insulated, upto 2 secondary windings.

Burden And Accuracy class combination on request.

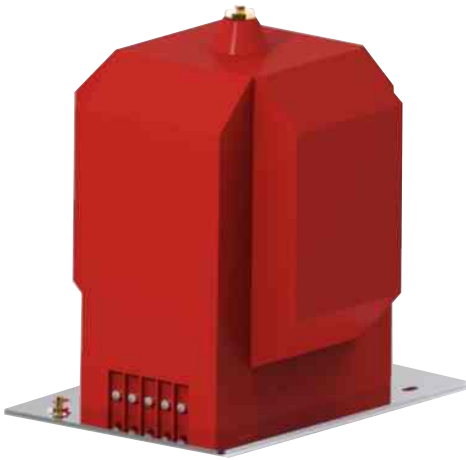
Model without fuse in same overall dimension available on request.



TYPE	NERCPT22-A
------	------------

Operating Voltage (max) (kV)	Rated power-frequency with stand voltage 1 min (kV)	Impulse test voltage 1.2/50 us full wave (kV)	Rated frequency (Hz)	Rated primary voltage (kV)	Secondary voltage (V)	Rated voltage factor 1.2 cont./8 hrs
24	50	125	50 OR 60	22/√3	110/√3	1.5

HSV: 33kV

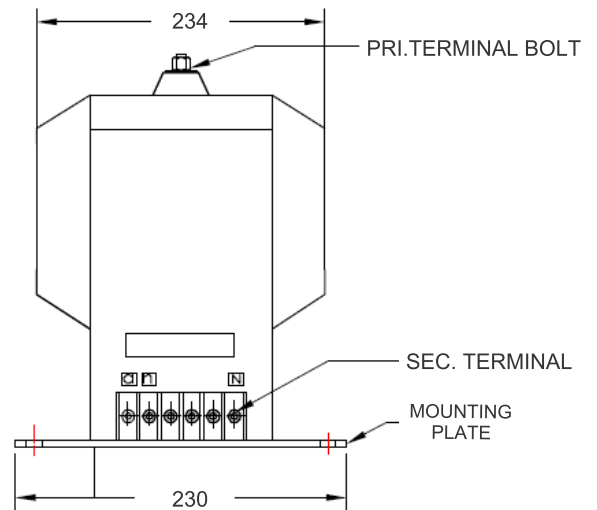
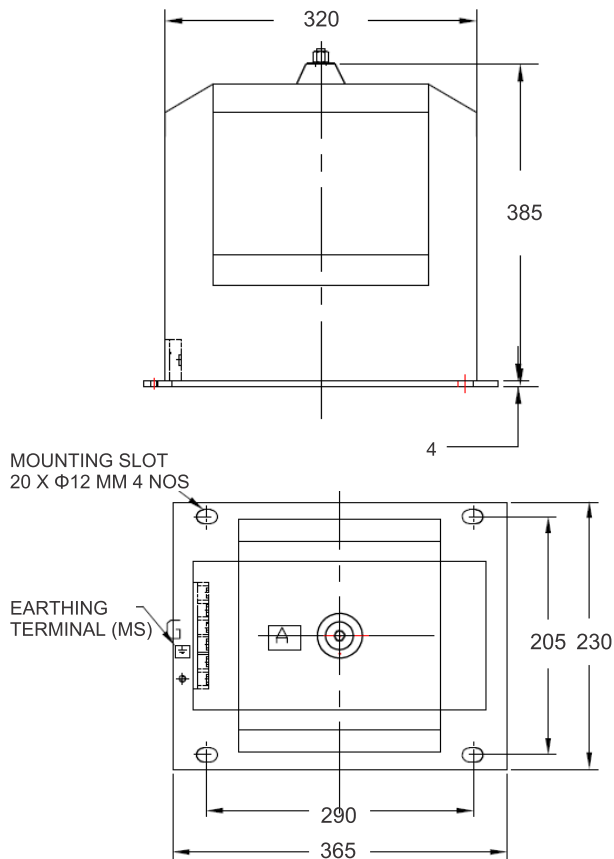


Indoor Voltage transformers -

Cast -Resin insulated, upto 2 secondary windings.

Burden And Accuracy class combination on request.

Model without fuse in same overall dimension available on request.



TYPE	NERCPT33-A
------	------------

Operating Voltage (max) (kV)	Rated power-frequency with stand voltage 1 min (kV)	Impulse test voltage 1.2/50 us full wave (kV)	Rated frequency (Hz)	Rated primary voltage (kV)	Secondary voltage (V)	Rated voltage factor 1.2 cont./8 hrs
36	70	170	50 OR 60	33/√3	110/√3	1.2

General Features of NEWTEK Current Transformers

Electrical Features

- › Rated frequency = 50-60 Hz
- › Class of insulation = E
- › Rated short time thermal current $I_{th} = 60 I_n$
- › Nominal surge current $I_{dyn} = 2.5 I_{th}$
(Minimum 100 kA at all window type CT's)
- › Highest voltage for equipment $U_m = 0.72 K_v$ (Other voltages on request)
- › Rated power-frequency withstand voltage = 4Kv/1 min (Other voltages on request) Instrument security factor = F_s5

Mechanical Features

- › Unbreakable, flame retardant, self-extinguishing
- › Nylon casing of grade UL 94 V2.
- › Cores are made from high grade CRGO material.
- › Dual coated copper wire having class of insulation H.
- › Nickel plated secondary terminals with plus minus screws of 0.5Nm.
- › Integrated secondary terminal caps.

Special Notes

- › CT's also available in 0.55, 0.2 and 0.2S accuracy class on request.
- › Other V_a 's are as per customer requirement.

Applicable Standards:

- › Current Transformer: IS: 2705/1992; IEC/EN: 60044-1
- › Potential Transformer: IS: 3156/1992; IEC: 60044-2
- › Control Transformer: IS: 12021/1987; IEC: 60044-2

Control & Potential Transformer:

- › Newtek provides tailor made range of LT Potential & Control Transformer as per customers demand both in single phase & three phase system, in Resin Cast/Tape Insulated/Varnish Impregnated type of Insulation.
- › Voltage range 0 to 690V, Max VA:-10kVA. We can supply dual secondary, tap changer type PTs & Control Transformers.
- › Available Class of PTs: 0.2, 0.5, 1.0 3P, 6P We can provide you IVTs, RVTs on demand.

newtek electricals

📍 M-90 M.I.D.C Waluj,
Aurangabad 431136, Maharashtra, India.

📞 +91-0240 2551555 / 9372862651, 9372862647

✉ sales@newtekelectricals.com
mkt.south@newtekelectricals.com
mkt.west@newtekelectricals.com
mkt.east@newtekelectricals.com
mkt.north@newtekelectricals.com

🌐 www.newtekelectricals.com