

Technical Catalogue

CONTROL & POTENTIAL TRANSFORMERS



Introduction

Brief History:

The Company was originally started as Wintek Electricals Pvt. Ltd. company as a Joint Venture with a German company in the year 2005. Thus the journey of Wintek Electricals Pvt Ltd began with a blend of technical expertise from Germany and India. With technical collaboration between the two, innovations were introduced which speak for themselves even today. With increasing demand for quality Transformers in the Indian Market, it was the need of the hour to cater to the needs of Indian market which had a large potential which was increasing twofold every month. Accordingly the bold step had to be taken and finally a completely independent company "Newtek Electricals" was formed in the year 2007 with the sole intention of introducing International Standard CTs in the Indian Market.

About Us:

We Newtek Electricals introduce ourselves as manufacturer of Instrument Transformers (CTs, PTs, COTR, MV etc.), Digital Meters (VAF, MFM, kWh, Ammeter & Voltmeter And Demand controller). Newtek Electricals is an ISO 9001:2015 certified. We are the first one to introduce Nylon Flame Retardant Casing Current Transformers(CTs)

Our product is been used in many prestigious projects in India as well as in other countries. The company has established its reputation within a short period as an innovative leader and quality manufacture by continuously upgrading technology, modernizing and manufacturing facilities and maintaining highest standards of quality and services.

Our Quality Concept:

We are dedicated towards upgrading the quality of Instrument transformers and digital meters. We share your high demands on quality, technical proficiency and services. These demands are an integral part of our company and serves as a constant reminder of tasks that we have taken as our responsibility. Every time we complete a job, we have improved our quality and that is what we are constantly striving to do.

All transformers are thoroughly tested during manufacturing process for any defects so that we can give guarantee to you to receive a quality product. Apart from all these our CTs and Meters are approved by CPRI (Central Power Research Institute, Bhopal) and ERDA (Electrical Research Development Association, Vadodara), respectively.

Domestic Customers



Overseas Customers



End Customers



Consultants

MECON Limited.	RSP Design Consultants India	Semac Consulting Engineers
AECOM (previously Spectral Services Consultants Pvt. Ltd.)	Synergy Infra Consultants Pvt. Ltd.,	Abhiyanta Electricals and Engineers Consultants
Entask Consultancy Services	J P Mukherji & Associates	Mott MacDonald
Tata Consulting Engineers	Excel Design Engineers	S. N. Joshi Consultants
C.R. Narayan Rao Consultants	Unique Consultant Services	ESKAYEM Consultants
Powertec Engineering	Kausi Consultancy Services	S. R. Associates
Avant-Garde Engineers & Consultants	Spectrum Pharmatech	Knexir Consultants Pvt. Ltd.
Satyavani Consultants	Currie Brown	Mott MacDonald
Karmaa SR Consultants Pvt. Ltd.	Unik Engineering Services	STUP Consultants Pvt. Ltd
Design Bureau	Arnita Consultants Pvt. Ltd.	Chettiar Consulting Engineers
IBI	Aevitas Pharmagro	IPS Mehtalia
Arup Consultant	Ralys Consulting Engineers	Vidyut sallagar Pvt Ltd
Lead Consultants	SYSN Consultants	CAMES
Fichtner India	Adarsha Developers	Ajit Kulkarni Consultant
Power Drive Engineers	Raj Electrical Designs	SAN Consultants
Archivista Engineering Projects Pvt. Ltd. (AEPPL)	S.M. Engineers & Consultants	Sripeksha Engineering Consultancy Services Pvt. Ltd.
Aami Associate Consulting Engineers	Convenient Construction & Consultancy Pvt. Ltd.	

Projects

Steel Project

1. BSPL, Bhilai
2. JSW Steel, (Bellary, Dolvi)
3. JSPL, Tamnar
4. BSRM ,Bangladesh
5. Sohar Steel, Oman
6. Electrosteel Steels Ltd, Bokaro
7. SLR Metalliks, Hospet
8. Kalyani Garuda, Raichur
9. Durgapur Steel Plant
10. Vedanta Steel

Power Segment

1. Adani, Baroda
2. JSPL, Tamnar
3. BARC, Tarapur
4. Banjrang power, Raipur
5. LVDCO_Micro Grid, Vadodara
6. Adani Power, Andhra Pradesh
7. TATA Power, Mumbai
8. Duragapur Steel Thermal Power Station, Durgapur

Petroleum

1. HPCL, Sugauli
2. Indian Oil Tank, Bhogat
3. IOCL, Ennore, Chennai
4. IOCL, Trisundi
5. BPCL, Mumbai
6. JBF Petrochemicals Ltd, Mangalore
7. TEXOL IOCL - Anaka Schalttafel, Faridabad

Chemical

1. Safe Water Chemicals,Kuwait
2. Kalpataru Organics, Sarigam
3. Virchows Lab,Hyderabad
4. Hikal Ltd, Hyderabad
5. Amoli Organics, Vapi

Metro

1. Chennai Metro Rail Ltd, Chennai
2. Bengaluru Metro Rail Ltd, Bengaluru
3. Hyderabad Metro Rail Ltd, Hyderabad
4. Kochi Metro Rail Ltd, Kochi
5. Nevi Mumbai Metro, Mumbai
6. Nagpur Metro, Nagpur

Government

1. MTRDC, Bhopal
2. PWD, Bhopal
3. BHEL Site Office, Ranchi

Beverages

1. Coca Cola, Varanasi
2. Carlsberg, Aurangabad

Infrastructure

1. Cinapolis, Patna
2. Magarpatta City, Pune
3. Bagmane Garnet, Bangalore
4. Mantri Developers, Bangalore
5. Arshiya International Ltd,
6. Mumbai Int Airport, Mumbai
7. Sungard Solutions Pvt Ltd, Mumbai
8. K. Raheja Corp.
9. Lodha Group, Mumbai
10. Runwal Bliss, Mumbai
11. Synergy Infra consultants-new building, Hyderabad

Industrial

1. Asian Paints, Ankaleshwar
2. DMIC, Aurangabad
3. INA Bearings India Pvt Ltd, Pune
4. Polycab Cables, Vadodara
5. Diamond Cables, Vadodara
6. Cosmo Films, Vadodara
7. Perkins India Pvt. Ltd., Aurangabad
8. Endurance Technologies Ltd.
9. LG Electronics, Ho Chi Minh
10. Daikin, Ho Chi Minh

IT

1. Mahindra Satyam
2. Cyber City, Hyderabad
3. Cybermotion, Hyderabad
4. TCS Yantra Park, Mumbai
5. Wipro Data Center, Hyderabad
6. Trinity Software Solution,Hyderabad
7. HCL, Madurai
8. Shell IT Centre, Bangalore
9. Intel, Ho Chi Minh

Textile

1. Welspun India Ltd
2. Bhilosa, Silvasa
3. Mathura Inds, Valsad
4. Creative Textile, Balitha
5. Santham Textile, Silvasa
6. Subam Textiles, Coimbatore
7. Vardhman Textiles, Ludhiana
8. Kirloskar Toyota Textile Machinery

Cement Project

1. ACC Cement, Vizag
2. Century Cement, Raipur
3. Birla Cement, Chittorgarh
4. Aditya Cement, Chittorgarh
5. Sagar Cement, Hyderabad

Malls

1. Patna Malls, Patna
2. Footpark Mall, Indore
3. Lotus Mall, Bangalore
4. Magarpatta Mall, Pune
5. Shoppers Stop, (Mumbai, Bhopal)
6. Best Price, Aurangabad

Electricity Board

1. TNEB Cogen, Chennai
2. CSPDCL
3. MPMKVCL, Bhopal & Gwalior

Polyester

1. Garware Polyesters Ltd, Aurangabad
2. Wellknown Polyesters Ltd, Daman

Telecom

1. Reliance JIO, Mumbai
2. Reliance Communication, Mumbai
3. Reliance 4G, Mumbai
4. Tata Communication, Bangalore

Submarine Project

1. VALE Project, Brazil

Defence

1. HAL, Bangalore

Sugar

1. Enpro Sugars, Rohtak
2. Daund Sugars, Rohtak
3. Renuka Sugars, Brazil
4. Mumias Sugar, Kenya
5. Shiraguppe Sugar,Rohtak
6. Mylar Sugars, Bangalore
7. White Nile Mill House, Sudan
8. Rohtak & Enpro Sugars,Rohtak
9. Lokmangal Mauli India Ltd, Osmanabad
10. Chamundeshwari Sugars, Hassan

Pharmaceuticals

1. Mylan Ltd, Hosur
2. Emami Limited, Mumbai
3. Almelo Chemicals, Hyderabad
4. MSN Laboratories, Hyderabad
5. GlaxoSmithKline, Chandigarh
6. Ranbaxy, Chandigarh
7. Sun Pharma, Vadodara
8. Macleods Pharma, Daman
9. Lupin, Indore

Automobile

1. ARAI, Pune
2. ESSAR, Mumbai
3. VHCL, Umbergaon
4. Mahindra Vehicle, Chakan
5. Woco Motherson, Gandhidham
6. VE Commercial Vehicles, Pithampur
7. Honda Motorcyle & Scooters India, Narsapura

Hotel

1. Silver Tower
2. Hotel Grand Haytt, Goa
3. Le Meridien, Coimbatore
4. Hotel Lotus Midtown, Mumbai
5. AIIMS, Delhi

Shipyards

1. Cochin Shipyards, Cochin
2. Bharti Shipyards, Mumbai
3. Hindustan Shipyards, Vizag
4. ABG Shipyards, Cochin
5. Goa Shipyards, Vosco Da Gama

Educational

1. Rajiv Gandhi College, Chandigarh
2. Karpagam Medical College, Coimbatore

Pulp & Paper Mill

1. PT Pindo, Indonesia
2. Subam Papers

Banking

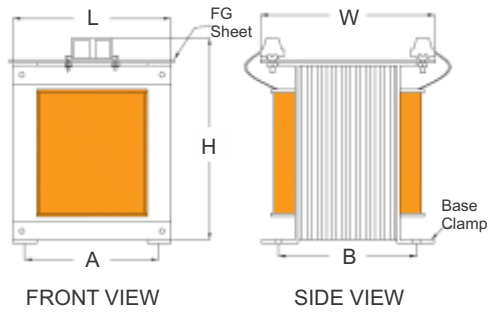
1. ICICI Bank, Chandivali
2. Bank of India, Mumbai
3. Deutsche Bank, Mumbai
4. SBI Data Center, Hyderabad

Energy

1. Alstom, Vadodara
2. Bharat Bijli, Airoli
3. Cummins, Pune
4. Kirloskar, Saswad
5. Haldia Energy Ltd

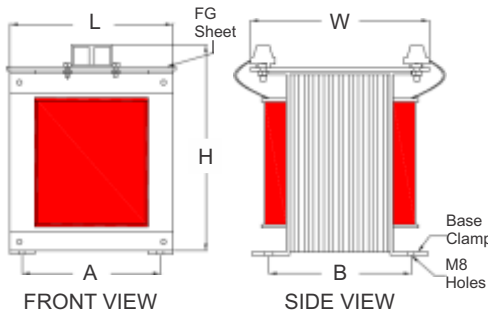
Control & Potential Transformers

Single Phase Tape Insulated & Resin Cast Control Transformers



Control Transformer 1PH, 180-480V/100-415V

Overall Dimensions (Approx.)					
VA	A	B	L	W	H
50	64	78	82	95	90
100	80	77	100	93	125
150	80	102	100	120	125
500	95	127	120	153	140
1000	128	110	155	130	170
2000	160	110	190	160	220
2500	160	135	190	186	220
3000	160	135	190	186	220
4000	160	161	190	212	220

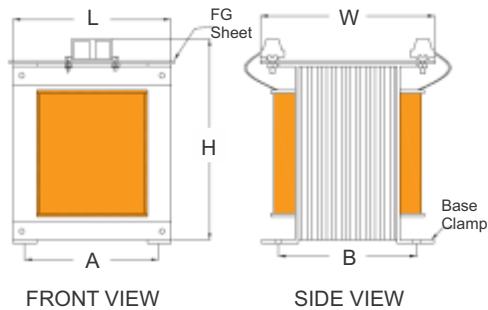


Control Transformer 1PH, 180-480V/100-415V

Overall Dimensions (Approx.)					
VA	A	B	L	W	H
50	64	78	82	98	90
100	80	77	100	97	125
150	80	102	100	123	125
500	95	127	120	157	140
1000	128	110	155	148	170
2000	160	110	190	170	220
2500	160	135	190	195	220
3000	160	135	190	190	220
4000	160	161	190	221	220

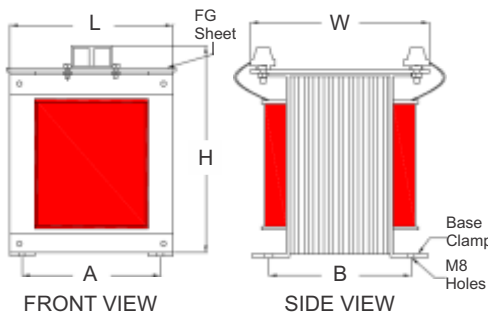
Note: According to voltage ratio dimension will be change

Single Phase Tape Insulated & Resin Cast Potential Transformers



Potential Transformer 1PH, 415√3V-110√3V

Overall Dimensions (Approx.)					
VA	A	B	L	W	H
10	80	77	100	93	110
15	80	77	100	93	110
25	80	102	100	120	110
50	95	88	120	118	125
100	128	110	155	130	155



Potential Transformer 1PH, 415√3V-110√3V

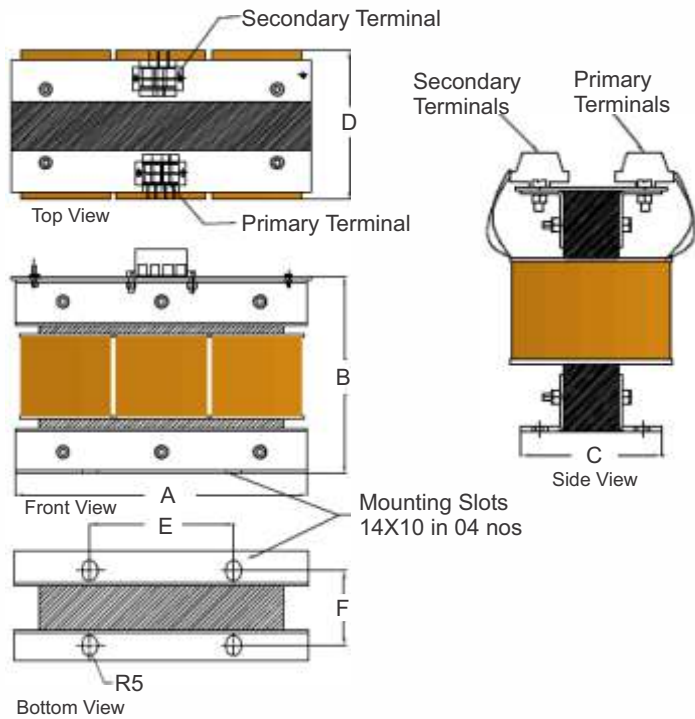
Overall Dimensions (Approx.)					
VA	A	B	L	W	H
10	80	77	100	97	110
15	80	77	100	97	110
25	80	102	100	123	110
50	95	88	120	120	125
100	128	110	155	148	155

All Dimensions are in "mm"

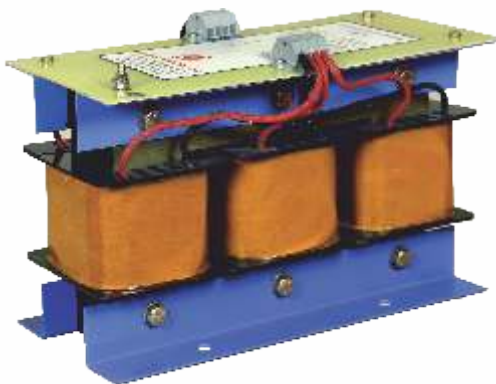
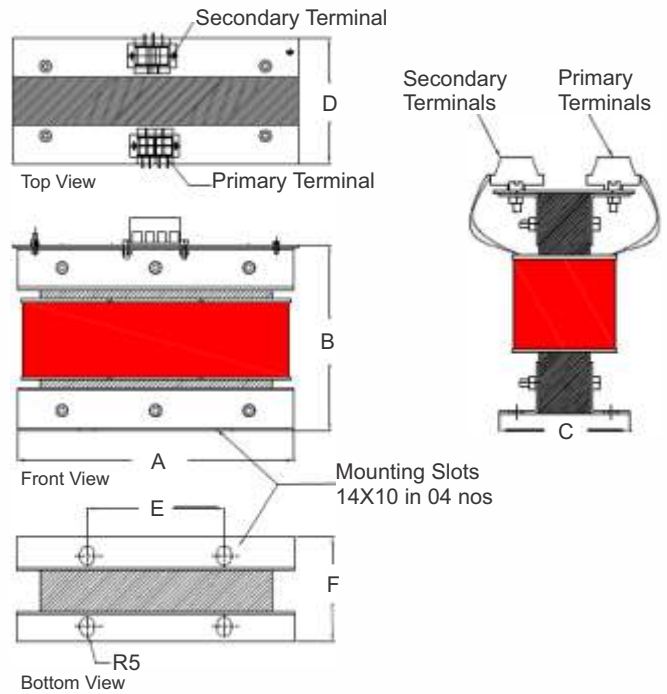
Note: According to ratio dimension will be change

Three Phase Tape Insulated & Resin Cast Control Transformers

Tape Insulated



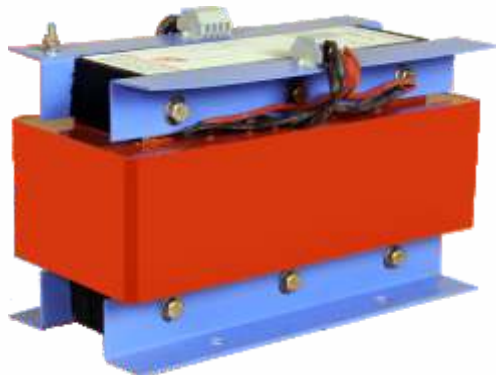
Resin Cast



Control Transformer 3PH, 180-480V/100-415V

Overall Dimensions (Approx.)

VA	A	B	C	D	E	F
300	198	122	123	128	98	100
500	235	150	102	106	135	77
1000	235	150	153	157	135	128
1500	304	185	160	162	150	115
2000	304	185	160	162	150	115
3000	304	185	185	187	150	140
4000	391	235	128	165	200	102
4500	391	235	128	165	200	102
5000	391	235	153	190	200	127
6000	391	235	153	190	200	127



Control Transformer 3PH, 180-480V/100-415V

Overall Dimensions (Approx.)

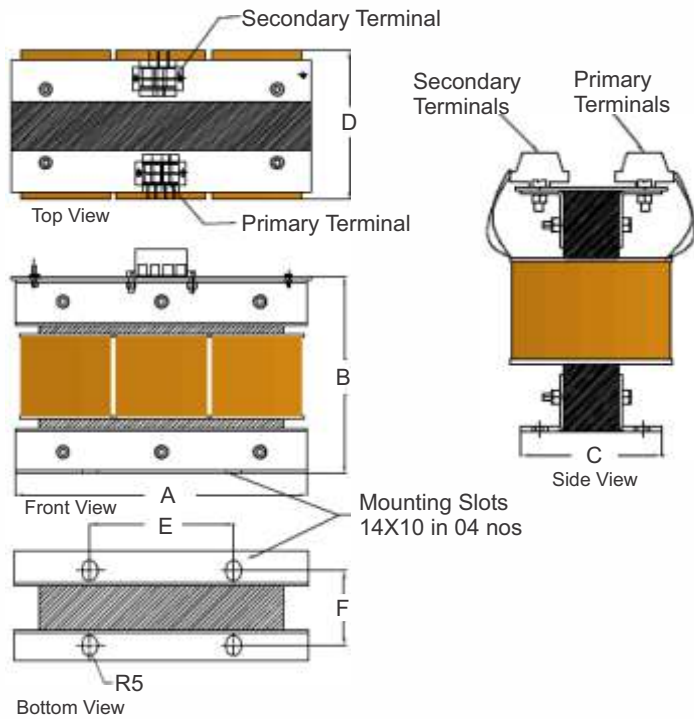
VA	A	B	C	D	E	F
300	210	122	123	128	98	100
500	240	150	102	106	135	77
1000	240	150	153	157	135	128
1500	304	185	160	162	150	115
2000	304	185	160	162	150	115
3000	304	185	185	187	150	140
4000	400	235	128	170	200	102
4500	400	235	128	170	200	102
5000	400	235	153	195	200	127
6000	400	235	153	195	200	127

All Dimensions are in "mm"

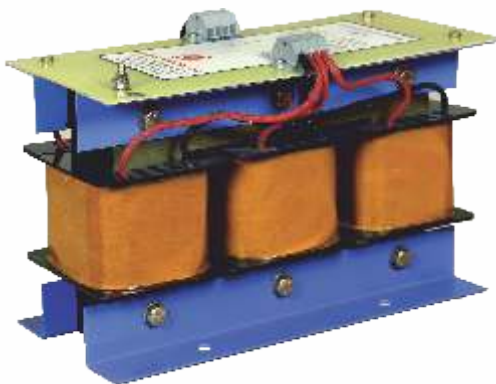
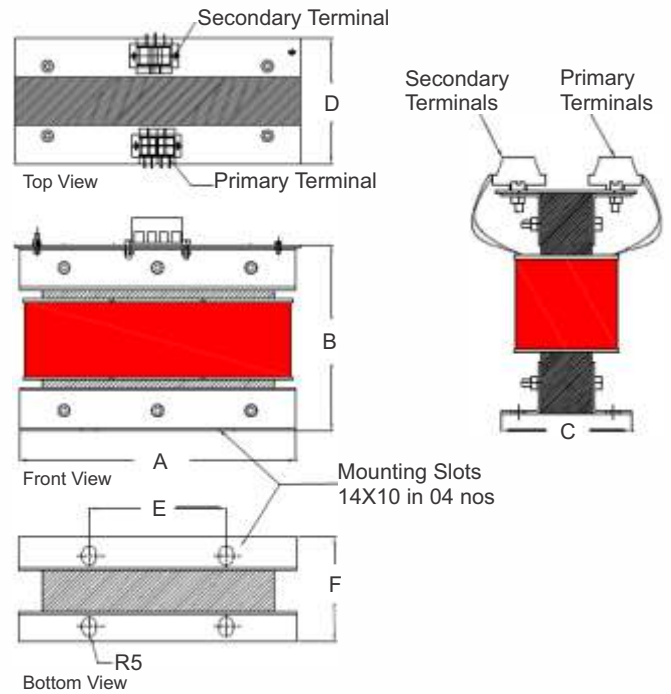
Note: According to voltage ratio dimension will be change

Three Phase Tape Insulated & Resin Cast Potential Transformers

Tape Insulated



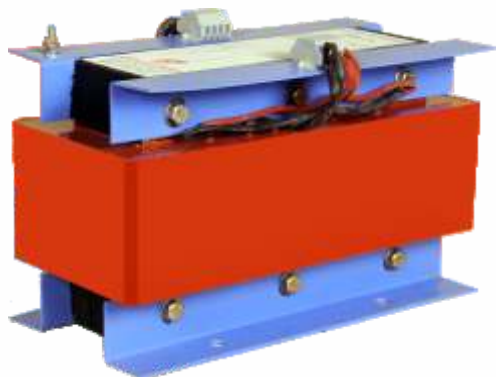
Resin Cast



Potential Transformer 3PH, 415 $\sqrt{3}$ V-110 $\sqrt{3}$ V

Overall Dimensions (Approx.)

VA	A	B	C	D	E	F
15	198	122	98	103	98	75
30	198	122	123	128	98	100
50	235	150	127	132	135	102
100	235	150	153	157	135	128



Potential Transformer 3PH, 415 $\sqrt{3}$ V-110 $\sqrt{3}$ V

Overall Dimensions (Approx.)

VA	A	B	C	D	E	F
15	210	122	98	103	98	75
30	210	122	123	128	98	100
50	240	150	127	132	135	102
100	240	150	153	157	135	128

All Dimensions are in "mm"

Note: According to voltage ratio dimension will be change



M-90 M.I.D.C Waluj, Aurangabad-431136 Maharashtra, India. Tel/Fax : +91-0240 2551555 Mobile : 9372862651, 9372862647
Email : sales@newtekelectricals.com, mkt.south@newtekelectricals.com, mkt.west@newtekelectricals.com,
mkt.east@newtekelectricals.com, mkt.north@newtekelectricals.com Website : www.newtekelectricals.com

**"Product up gradation is a continuous process. Hence, data in this catalog is subject to change without prior notice.
For the latest information, please get in touch with our sales Offices."**